

VALVE ACTUATOR

Inches

BGA Series of Bevel Gear Operators



- Total turning manual operating device suitable for joining with gate valve, stop valve, etc.
- Permitted output torque range: 188~12000 LBF.IN.
- Joining with valve by guide screw and nut; flange joining is designed according to ISO 5211/MSS SP-01 standard.
- The device body and cover are made of ductile iron for high efficiency. Two ends of the worm are equipped with bearings with good mechanical efficiency.
- Horizontal (H type) and vertical (V type).

BG Technical Parameters of One-step Valve Actuators-H Type

Model	BG05	BG08	BG10	BG20	BG30	BG40	BG50
Geat Ratio	2.9:1	3:1	3:1	4:1	6:1	6:1	8:1
Maximum Output Torque (lbf-ft)	188	261	623	750	1250	3000	5000
Maximum Pushing Force (lbf)	16872	25420	40000	40000	80000	100000	150000
Maximum Stem Diameter (in.)	1.02	1.34	1.81	2.00	2.38	3.13	4.00
Weight (lb)	20	23	46	50	88	163	250
Efficiency	0.9	0.9	0.90	0.90	0.90	0.90	0.90

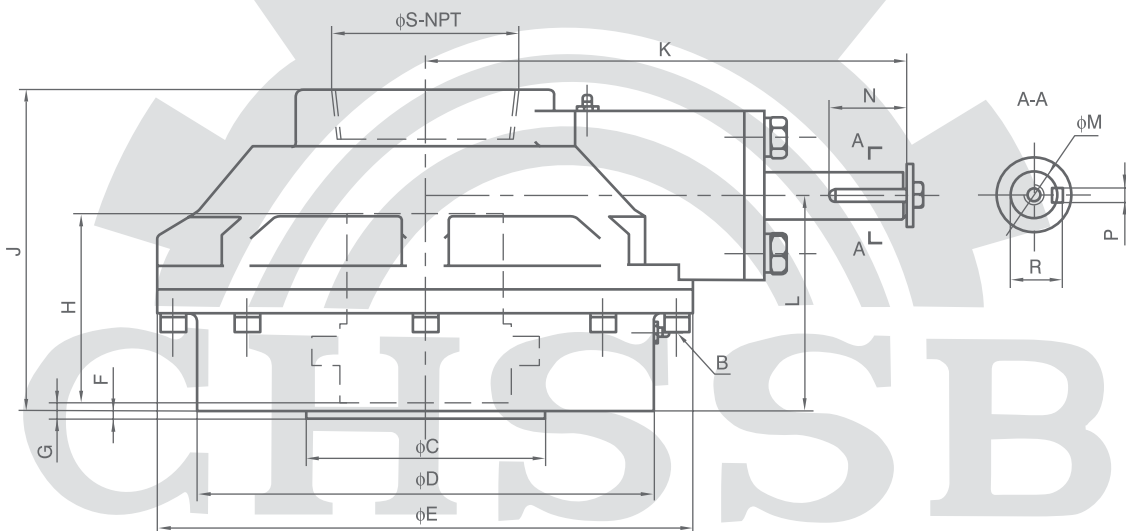
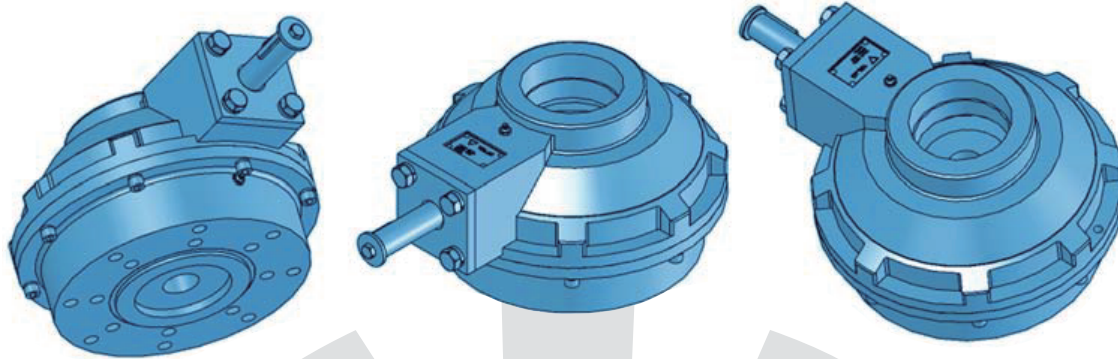
BG Technical Parameters of Multi-step Valve Actuators-H Type

Model	BG30B	BG40B	BG50B	BG60	BG70	BG100
Geat Ratio	30.0:1	30.0:1	40.0:1	43.0:1/81.8:1	43.0:1/81.8:1	44.2:1/84.1:1
Maximum Output Torque (lbf-ft)	1250	3000	5000	8000	8000	12000
Maximum Pushing Force (lbf)	80000	100000	150000	200000	300000	300000
Maximum Stem Diameter (in.)	2.38	3.13	4.00	4.50	4.50	5.50
Weight (lb)	125	203	290	419	529	1000
Efficiency	0.80	0.80	0.80	0.70	0.70	0.70

VALVE ACTUATOR

Inches

BGA one-step valve actuators-H type



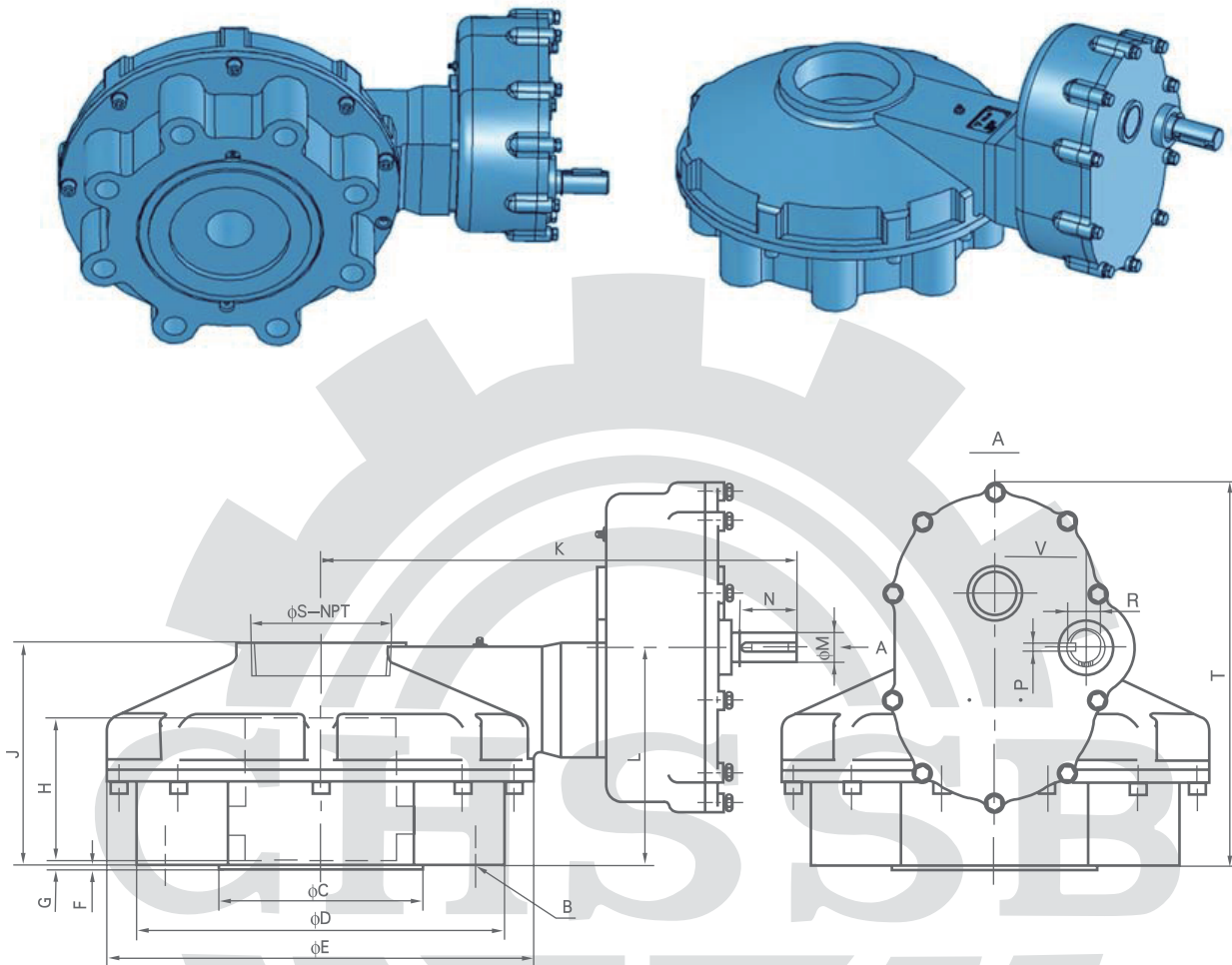
BGA Dimension table of BGA valve actuators-H type

UNIT	MSS	B	C	D	E	F	G	H	J	K	L	M	N	P	R	S
BGA05	FA10	4-3/8-16UNCx0.6 4.00 BCD	2.76	5.31	5.51	0.12	0.12	1.73	3.86	5.91	1.97	0.83	0.98	0.24	0.93	0.06
BGA08	FA12	4-1/2-13UNCx0.6 4.95 BCD	3.35	6.30	6.69	0.12	0.12	1.97	4.45	7.09	2.36	1.02	1.38	0.31	1.14	0.08
BGA10	FA14	4-5/8-11UNCx1.1 5.50 BCD	3.75	6.93	7.87	0.16	0.16	2.36	4.80	8.35	3.11	1.18	1.93	0.31	1.34	0.1
BGA20	FA14	4-5/8-11UNCx1.38 5.50 BCD	3.75	6.93	8.27	0.16	0.31	2.99	6.06	8.39	4.02	1.18	1.93	0.31	1.34	0.1
BGA30	FA16	4-3/4-10UNCx1.77 6.50 BCD	5	7.99	9.84	0.20	0.47	4.02	7.05	9.8	4.76	1.18	1.93	0.31	1.34	0.12
BGA40	FA25	4-5/8-11UNCx1.38 10.00 BCD	5.98	11.42	13.39	0.20	0.47	4.76	8.07	10.98	5.43	1.18	1.93	0.31	1.34	0.16
BCA50	FA30	4-3/4-10UNCx1.77 11.75 BCD	7.01	13.62	15.75	0.20	0.24	5.98	8.74	13.39	6.30	1.18	1.93	0.31	1.34	0.16

VALVE ACTUATOR

Inches

BGA multi-step valve actuators-H type



BGA Dimension table of BGA multi-step valve actuators-H type

UNIT	MSS	B	C	D	E	F	G	H	J	K	L	M	N	P	R	S	T	V
BGA30B	FA16	4-3/4-10UNCx1.75 6.50 BCD	5	7.99	9.84	0.20	0.47	4.02	7.05	13.43	9.53	1.18	1.93	0.31	1.34	0.12	11.14	N/A
BGA40B	FA25	8-5/8-11UNCx1.38 10.00 BCD	5.98	11.42	13.39	0.20	0.47	4.76	8.07	13.62	10.24	1.18	1.93	0.31	1.34	0.16	11.18	N/A
BGA50B	FA30	8-3/4-10UNCx1.75 11.75 BCD	7.01	13.62	15.75	0.20	0.24	5.98	8.74	15.98	9.53	1.18	1.93	0.31	1.34	0.16	11.14	N/A
BGA60	FB35	8-1 1/4-7UNCx2.75 14.00 BCD	8.50	16.38	17.76	0.20	0.39	5.94	9.25	19.80	9.09	1.18	2.36	0.31	1.34	0.20	15.94	3.74
BGA70	FB48	8-1 1/2-8UNCx3.00 14.00 BCD	8.50	17.01	17.76	0.20	—	9.37	12.80	19.80	12.60	1.18	2.36	0.31	1.34	0.20	19.45	3.74
BGA100	—	12-1 1/2-8UNCx2.63 19.00 BCD	14.57	22.01	—	0.38	0.30	7.99	18.54	19.17	17.76	1.18	2.36	0.31	1.34	0.24	24.65	3.74