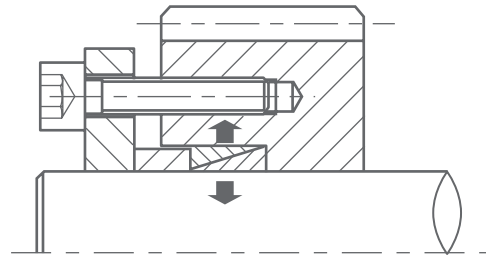


NSPT-LOCKS



Suitable for Shaft
Metric: $\phi 10 \sim \phi 180$ (mm)
Inch: $3/8'' \sim 7''$



E NSPT-LOCKS include two inner and outer taper rings. The structure is simple and compact. It does not need a large installation space, circular without split and is well balanced dynamically.

E NSPT-LOCKS transfer high surface pressures onto the shaft by the pressing flange. E NSPT-LOCKS transfer high surface pressures onto the shaft by the pressing flange. The connection is formed by tightly compressing the shaft and the taper hole. It is well applicable to the light load and small space installation.

Type F and type H pressing flange may also be chosen according to the different shaft diameters and structures.

Expression of NSPT-LOCK Type E

NL 36 X 42 E



NSPT Lock E Type
Out Diameter
Bore Diameter
NSPT-LOCKS Code

Conversion: 1 inch = 25.40mm

Conversion

1 ft-lbs. = 0.1382 kgf-m = 1.3550 N.m
1 Psi = 0.007 kgf/mm² = 0.0069 Mpa

E NSPT-LOCKS

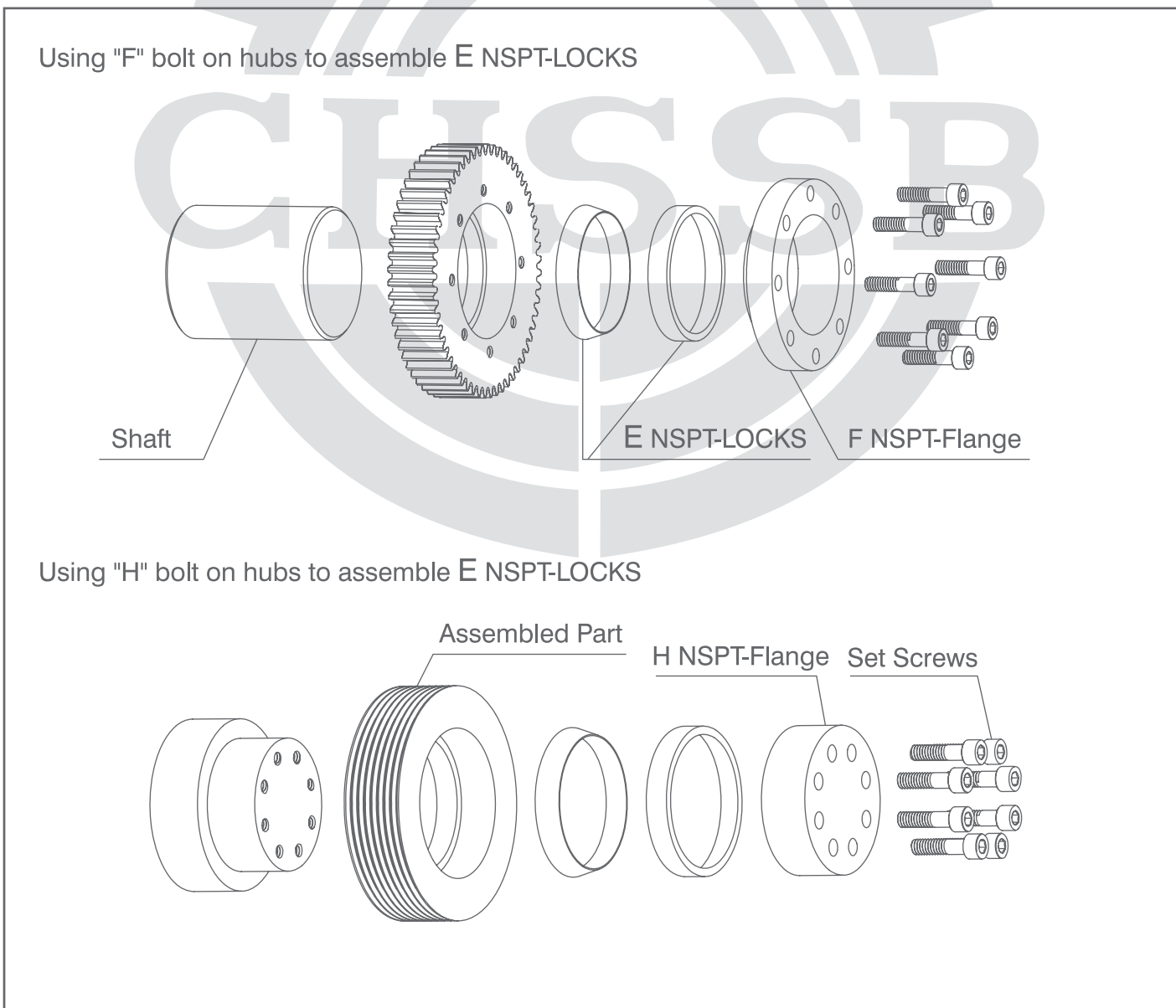
NSPT-LOCKS

E

Inches



E NSPT-LOCKS Assembling Diagram:



NSPT-LOCKS

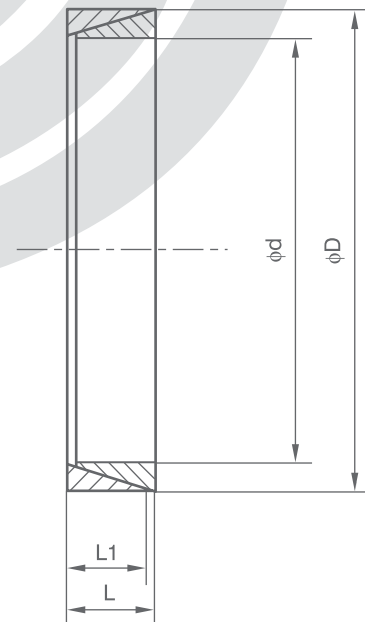
Metric

E NSPT-LOCKS

Catalog dxD	fundamental dimensions		RATED LOAD Pf=100N/mm ²		G kg
	L	L1	Ft (KN)	Mt (KN.M)	
CL10x13E	4.5	3.7	1.4	0.007	0.002
CL12x15E	4.5	3.7	1.67	0.01	0.002
CL13x16E	4.5	3.7	1.81	0.012	0.002
CL14x18E	6.3	5.3	2.8	0.02	0.005
CL15x19E	6.3	5.3	3.0	0.023	0.005
CL16x20E	6.3	5.3	3.2	0.026	0.006
CL17x21E	6.3	5.3	3.4	0.029	0.006
CL18x22E	6.3	5.3	3.6	0.033	0.008
CL19x24E	6.3	5.3	3.8	0.036	0.008
CL20x25E	6.3	5.3	4.0	0.04	0.01
CL22x26E	6.3	5.3	4.5	0.05	0.01
CL24x28E	6.3	5.3	4.8	0.058	0.01
CL25x30E	6.3	5.3	5.0	0.06	0.01
CL28x32E	6.3	5.3	5.6	0.078	0.01
CL30x35E	6.3	5.3	6.0	0.09	0.01
CL32x36E	6.3	5.3	6.4	0.102	0.015
CL35x40E	7.0	6.0	7.9	0.139	0.02
CL36x42E	7.0	6.0	8.1	0.147	0.02
CL38x44E	7.0	6.0	8.6	0.163	0.02
CL40x45E	8.0	6.6	9.9	0.20	0.025
CL42x48E	8.0	6.6	10.5	0.22	0.04
CL45x52E	10.0	8.6	14.6	0.33	0.043
CL48x55E	10.0	8.6	15.6	0.38	0.045
CL50x57E	10.0	8.6	16.2	0.40	0.05
CL55x62E	10.0	8.6	17.8	0.49	0.06
CL56x64E	12.0	10.4	22.0	0.62	0.074
CL60x68E	12.0	10.4	23.5	0.70	0.074
CL63x71E	12.0	10.4	25.5	0.83	0.08
CL65x73E	12.0	10.4	25.6	0.93	0.08
CL70x79E	14.0	12.2	32.0	1.12	0.11
CL71x80E	14.0	12.2	32.7	1.16	0.12
CL75x84E	14.0	12.2	34.4	1.29	0.12
CL80x91E	17.0	15.0	45.0	1.81	0.19
CL85x96E	17.0	15.0	48.0	2.04	0.20
CL90x101E	17.0	15.0	51.0	2.29	0.22
CL95x106E	17.0	15.0	54.0	2.55	0.23
CL100x114E	21.0	18.7	70.0	3.50	0.38
CL105x119E	21.0	18.7	73.2	3.82	0.40
CL110x124E	21.0	18.7	77.0	4.25	0.41
CL120x134E	21.0	18.7	84.0	5.05	0.45
CL125x139E	21.0	18.7	92.0	5.75	0.62
CL130x148E	28.0	25.3	124.0	8.05	0.85
CL140x158E	28.0	25.3	134.0	9.35	0.91
CL150x168E	28.0	25.3	143.0	10.70	0.97
CL160x178E	28.0	25.3	152.5	12.20	1.02
CL170x191E	33.0	30.0	192.0	16.30	1.50
CL180x201E	33.0	30.0	204.0	18.30	1.58



Conversion: 1 inch = 25.40mm



Conversion
 1 ft-lbs. = 0.1382 kgf-m = 1.3550 N.m
 1 Psi = 0.0007 kgf/mm² = 0.0069 Mpa