



New Standard Power Transmission

**T_{aper}
B_{ore}**

V-pulleys

Cast Iron Sheaves

**CAK-H
CBK-H**



- CAK-H, CBK-H series of taper sheaves are furnished with H style STL bushings, with the characteristics of highly precised installation, easy on and easy off, wide applicability and so on. They are the first choice for engineered designs.
- Made of high quality grey cast iron and then precisely manufactured.
- Surface treatment: paintings or black phosphating.
- Individually boxed.
- All series of H style bushings are available for bore size from 3/8" to 1 3/8".
- In-stock item qualified for prompt delivery.



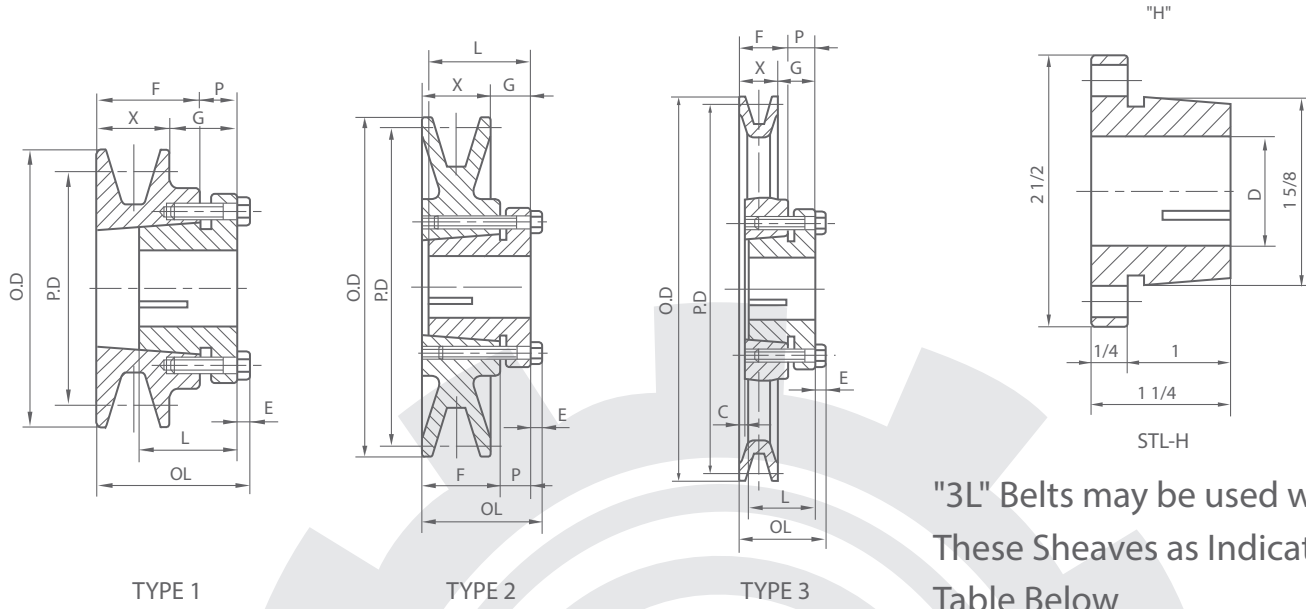
Stock "H" Bushings

Stock Bores	Keyseats	Stock Bores	Keyseats
3/8	None	1	1/4x1/16
7/16	None	1 1/16	1/4x1/16
1/2	1/8x1/16	1 1/8	1/4x1/16
9/16	1/8x1/16	1 3/16	1/4x1/16
5/8	3/16x3/32	1 1/4	1/4x1/16
11/16	3/16x3/32	1 5/16	5/16x1/16
3/4	3/16x3/32	1 3/8	5/16x1/16
13/16	3/16x3/32	1 3/8	3/8x1/16
7/8	3/16x3/32	1 7/16	3/8x1/16
15/16	1/4x1/8	1 1/2	3/8x1/16

Milimeter Bores

Stock Bores	Keyseats	Stock Bores	Keyseats
10	None	24	8x3.5
11	None	25	8x3.5
12	None	28	8x3.5
14	5x2.5	30	8x3.5
16	5x2.5	32	10x4
18	6x3	35	10x4
19	6x3	36	10x4
20	6x3	38	10x4
22	6x3		

Cast Iron Sheaves

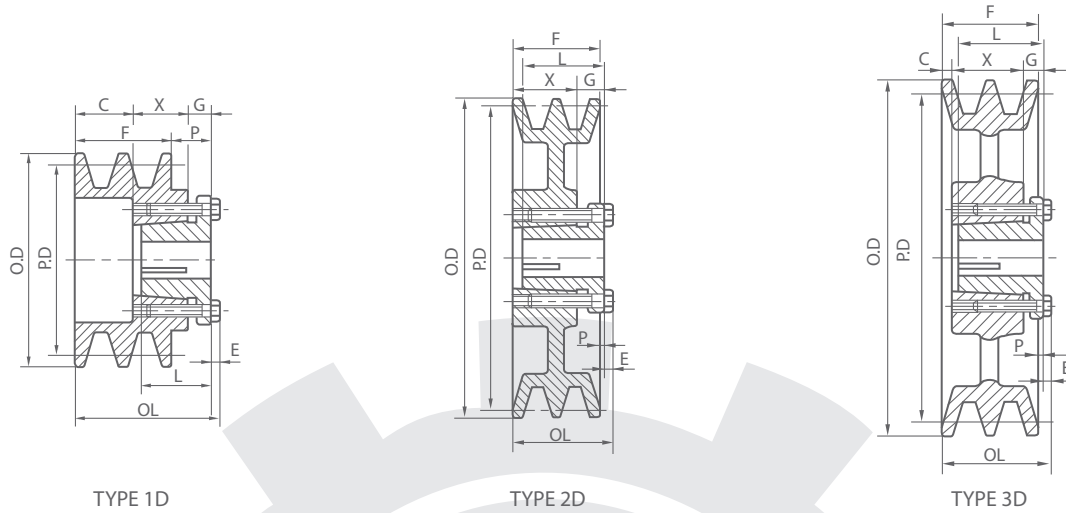


"3L" Belts may be used with These Sheaves as Indicated in Table Below

Single Groove Sheaves for "4L" or "A" Belts

Catalog Number	Diameter			Type	Dimensions								wt less Bush
	OD	PD A	PD 3L		OL	F	L	P	C	X	G	E	
CAK30H	3.05	2.80	2.46	1	1 13/16	3/4	1 1/4	7/8	—	13/16	7/16	3/16	1.1
CAK32H	3.25	3.00	2.66	1	1 13/16	3/4	1 1/4	7/8	—	13/16	7/16	3/16	1.2
CAK34H	3.45	3.20	2.86	2	1 1/2	3/4	1 1/4	9/16	—	7/8	7/16	3/16	1.0
CAK39H	3.75	3.50	3.16	2	1 1/2	3/4	1 1/4	9/16	—	7/8	7/16	3/16	1.4
CAK41H	3.95	3.70	3.36	2	1 1/2	3/4	1 1/4	9/16	—	7/8	7/16	3/16	1.6
CAK44H	4.25	4.00	3.66	2	1 1/2	3/4	1 1/4	9/16	—	7/8	7/16	3/16	1.9
CAK46H	4.45	4.20	3.86	2	1 1/2	3/4	1 1/4	9/16	—	7/8	7/16	3/16	1.9
CAK49H	4.75	4.50	4.16	2	1 1/2	3/4	1 1/4	9/16	—	7/8	7/16	3/16	2.1
CAK51H	4.95	4.70	4.36	2	1 1/2	3/4	1 1/4	9/16	—	7/8	7/16	3/16	2.3
CAK54H	5.25	6.00	4.66	2	1 1/2	3/4	1 1/4	9/16	—	7/8	7/16	3/16	2.0
CAK56H	5.45	5.20	4.86	2	1 1/2	3/4	1 1/4	9/16	—	7/8	7/16	3/16	2.3
CAK59H	5.75	5.50	5.16	2	1 1/2	3/4	1 1/4	9/16	—	7/8	7/16	3/16	2.4
CAK61H	5.95	5.70	5.36	3	1 1/2	3/4	1 1/4	9/16	—	7/8	7/16	3/16	2.5
CAK64H	6.25	5.00	5.66	3	1 1/2	3/4	1 1/4	9/16	—	7/8	7/16	3/16	2.7
CAK66H	6.45	6.20	5.86	3	1 1/2	3/4	1 1/4	9/16	—	7/8	7/16	3/16	2.8
CAK69H	6.75	6.50	6.16	3	1 1/2	3/4	1 1/4	9/16	—	7/8	7/16	3/16	3.2
CAK71H	6.95	6.70	6.36	3	1 1/2	3/4	1 1/4	9/16	—	7/8	7/16	3/16	3.1
CAK74H	7.25	7.00	6.66	3	1 1/2	3/4	1 1/4	9/16	—	7/8	7/16	3/16	3.3
CAK79H	7.75	7.50	7.16	3	1 1/2	3/4	1 1/4	9/16	—	7/8	7/16	3/16	3.5
CAK84H	8.25	8.00	7.66	3	1 1/2	3/4	1 1/4	9/16	—	7/8	7/16	3/16	3.6
CAK89H	8.75	8.50	8.16	3	1 1/2	3/4	1 1/4	9/16	—	7/8	7/16	3/16	4.0
CAK94H	9.25	9.00	8.66	3	1 1/2	3/4	1 1/4	9/16	—	7/8	7/16	3/16	4.4
CAK99H	9.75	9.50	9.16	3	1 1/2	3/4	1 1/4	9/16	—	7/8	7/16	3/16	4.7
CAK104H	10.25	10.00	9.66	3	1 1/2	3/4	1 1/4	9/16	—	7/8	7/16	3/16	4.5
CAK109H	10.75	10.50	10.16	3	1 1/2	3/4	1 1/4	9/16	—	7/8	7/16	3/16	5.1
CAK114H	11.25	11.00	10.66	3	1 1/2	3/4	1 1/4	9/16	—	7/8	7/16	3/16	5.5
CAK124H	12.25	12.00	11.66	3	1 1/2	3/4	1 1/4	9/16	—	7/8	7/16	3/16	6.1
CAK134H	13.25	13.00	12.66	3	1 1/2	3/4	1 1/4	9/16	—	7/8	7/16	3/16	7.4
CAK144H	14.25	14.00	13.66	3	1 1/2	3/4	1 1/4	9/16	—	7/8	7/16	3/16	7.8
CAK154H	15.25	15.00	14.66	3	1 1/2	3/4	1 1/4	9/16	—	7/8	7/16	3/16	8.8
CAK184H	18.25	18.00	17.66	3	1 1/2	3/4	1 1/4	9/16	—	7/8	7/16	3/16	11.3

Cast Iron Sheaves

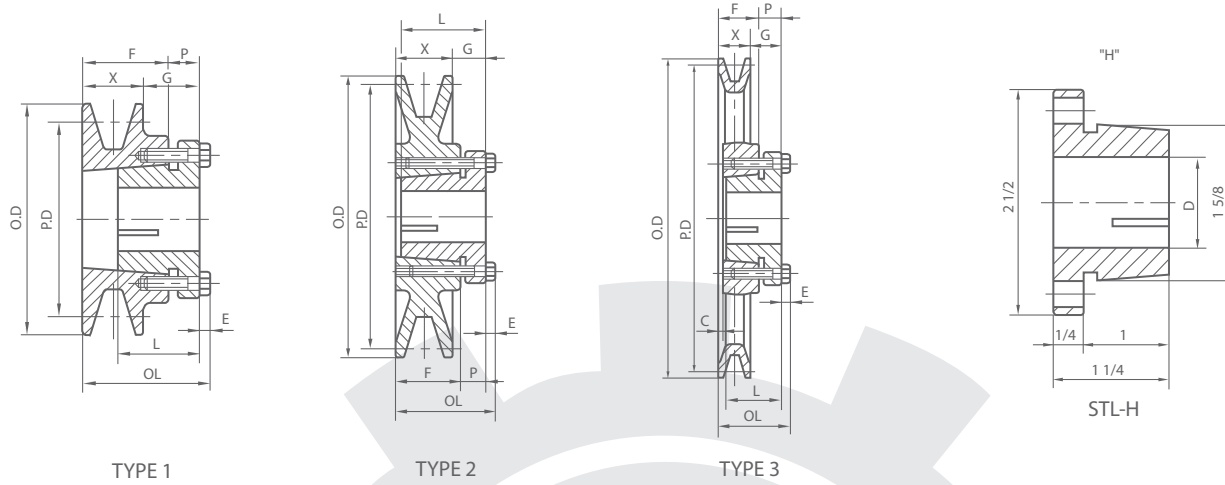


"3L" Belts may be used with These Sheaves as Indicated in the table below

Double Groove Sheaves for "4L" or "A" Belts

Catalog Number	Diameter			Type	Dimensions								Wt. less Bush
	O.D	PD A	PD 3L		OL	F	L	P	C	X	G	E	
2CAK30H	3.05	2.80	2.46	1D	27/16	13/8	1 1/4	7/8	15/16	7/8	7/16	3/16	1.4
2CAK32H	3.25	3.00	2.66	1D	27/16	13/8	1 1/4	7/8	15/16	7/8	7/16	3/16	1.7
2CAK34H	3.45	3.20	2.86	1D	2	13/8	1 1/4	7/16	1/2	7/8	7/16	3/16	1.8
2CAK39H	3.75	3.50	3.16	1D	2	13/8	1 1/4	7/16	1/2	7/8	7/16	3/16	1.8
2CAK41H	3.95	3.70	3.36	2D	1 1/2	13/8	1 1/4	1/16	—	7/8	7/16	3/16	1.9
2CAK44H	4.25	4.00	3.66	2D	1 1/2	13/8	1 1/4	1/16	—	7/8	7/16	3/16	2.4
2CAK46H	4.45	4.20	3.86	2D	1 1/2	13/8	1 1/4	1/16	—	7/8	7/16	3/16	2.5
2CAK49H	4.75	4.50	4.16	2D	1 1/2	13/8	1 1/4	1/16	—	7/8	7/16	3/16	3.1
2CAK51H	4.95	4.70	4.36	2D	1 1/2	13/8	1 1/4	1/16	—	7/8	7/16	3/16	3.2
2CAK54H	5.25	5.00	4.66	2D	1 1/2	13/8	1 1/4	1/16	—	7/8	7/16	3/16	3.4
2CAK56H	5.45	5.20	4.86	2D	1 1/2	13/8	1 1/4	1/16	—	7/8	7/16	3/16	3.6
2CAK59H	5.75	5.50	5.16	3D	1 1/2	13/8	1 1/4	1/16	—	7/8	7/16	3/16	3.4
2CAK61H	5.95	5.70	5.36	3D	1 1/2	13/8	1 1/4	1/16	—	7/8	7/16	3/16	3.3
2CAK64H	6.25	6.00	5.66	3D	1 1/2	13/8	1 1/4	1/16	—	7/8	7/16	3/16	3.9
2CAK74H	7.25	7.00	6.66	3D	1 1/2	13/8	1 1/4	1/16	—	7/8	7/16	3/16	4.9
2CAK84H	8.25	8.00	7.66	3D	1 1/2	13/8	1 1/4	1/16	—	7/8	7/16	3/16	5.8
2CAK94H	9.25	9.00	8.66	3D	1 1/2	13/8	1 1/4	1/16	—	7/8	7/16	3/16	6.1
2CAK104H	10.25	10.00	9.66	3D	1 1/2	13/8	1 1/4	1/16	—	7/8	7/16	3/16	7.7
2CAK114H	11.25	11.00	10.66	3D	1 1/2	13/8	1 1/4	1/16	—	7/8	7/16	3/16	8.5
2CAK124H	12.25	12.00	11.66	3D	1 1/2	13/8	1 1/4	1/16	—	7/8	7/16	3/16	9.5
2CAK134H	13.25	13.00	12.66	3D	1 1/2	13/8	1 1/4	1/16	—	7/8	7/16	3/16	11.4
2CAK144H	14.25	14.00	13.66	3D	1 1/2	13/8	1 1/4	1/16	—	7/8	7/16	3/16	11.9
2CAK154H	15.25	15.00	14.66	3D	1 1/2	13/8	1 1/4	1/16	—	7/8	7/16	3/16	13.3
2CAK184H	18.25	18.00	17.66	3D	1 1/2	13/8	1 1/4	1/16	—	7/8	7/16	3/16	16.8

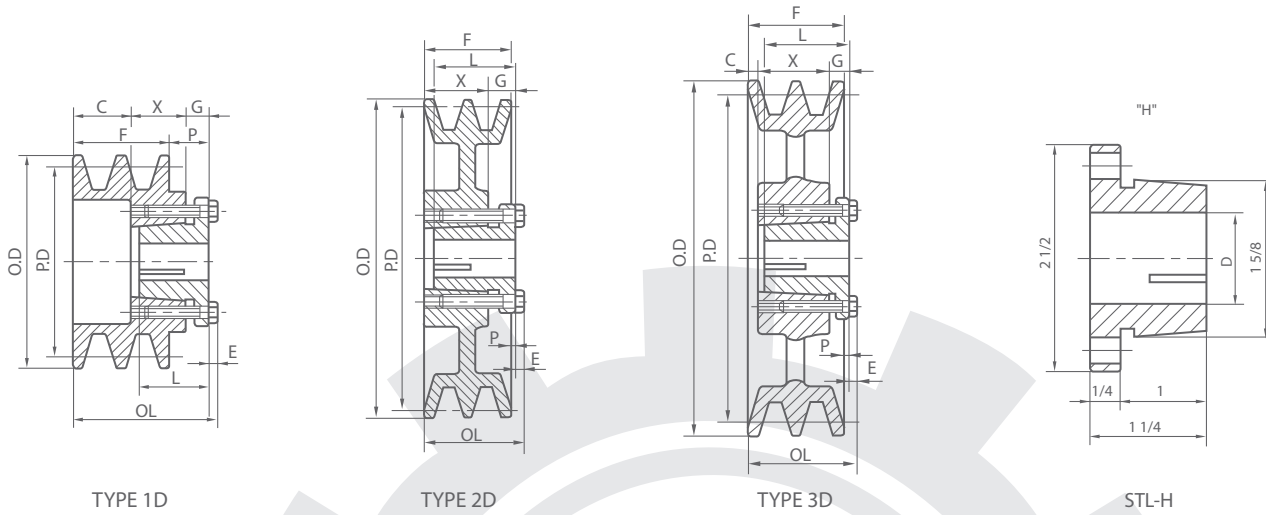
Cast Iron Sheaves



Single Groove Sheaves for "4L" or "A" Belts and "5L" or "B" Belts

Catalog Number	Diameter			Type	Dimensions								wt less Bush
	OD	PD A	PD 3L		OL	F	L	P	C	X	G	E	
CBK30H	3.15	2.40	2.80	1	1 15/16	7/8	1 1/4	7/8	—	1 5/16	7/16	3/16	1.2
CBK32H	3.35	2.60	3.00	1	1 15/16	7/8	1 1/4	7/8	—	1 5/16	7/16	3/16	1.4
CBK34H	3.55	2.80	3.20	1	1 15/16	7/8	1 1/4	7/8	—	1 5/16	7/16	3/16	1.6
CBK36H	3.75	3.00	3.40	2	1 1/2	7/8	1 1/4	7/16	—	7/8	7/16	3/16	1.2
CBK40H	3.95	3.20	3.60	2	1 1/2	7/8	1 1/4	7/16	—	7/8	7/16	3/16	1.4
CBK45H	4.25	3.50	3.90	2	1 1/2	7/8	1 1/4	7/16	—	7/8	7/16	3/16	1.8
CBK47H	4.45	3.70	4.10	2	1 1/2	7/8	1 1/4	7/16	—	7/8	7/16	3/16	2.2
CBK50H	4.75	4.00	4.40	2	1 1/2	7/8	1 1/4	7/16	—	7/8	7/16	3/16	2.0
CBK52H	4.95	4.20	4.60	2	1 1/2	7/8	1 1/4	7/16	—	7/8	7/16	3/16	2.1
CBK55H	5.25	4.50	4.90	2	1 1/2	7/8	1 1/4	7/16	—	7/8	7/16	3/16	2.7
CBK57H	5.45	4.70	5.10	2	1 1/2	7/8	1 1/4	7/16	—	7/8	7/16	3/16	2.7
CBK60H	5.75	5.00	5.40	2	1 1/2	7/8	1 1/4	7/16	—	7/8	7/16	3/16	2.5
CBK62H	5.95	5.20	5.60	2	1 1/2	7/8	1 1/4	7/16	—	7/8	7/16	3/16	2.6
CBK65H	6.25	5.50	5.90	2	1 1/2	7/8	1 1/4	7/16	—	7/8	7/16	3/16	2.8
CBK67H	6.45	5.70	6.10	2	1 1/2	7/8	1 1/4	7/16	—	7/8	7/16	3/16	2.9
CBK70H	6.75	6.00	6.40	3	1 9/16	7/8	1 1/4	1/2	1/16	7/8	7/16	3/16	2.8
CBK72H	6.95	6.20	6.60	3	1 9/16	7/8	1 1/4	1/2	1/16	7/8	7/16	3/16	3.1
CBK75H	7.25	6.50	6.90	3	1 9/16	7/8	1 1/4	1/2	1/16	7/8	7/16	3/16	3.3
CBK77H	7.45	6.70	7.10	3	1 9/16	7/8	1 1/4	1/2	1/16	7/8	7/16	3/16	3.8
CBK80H	7.75	7.00	7.40	3	1 9/16	7/8	1 1/4	1/2	1/16	7/8	7/16	3/16	3.4
CBK85H	8.25	7.50	7.90	3	1 9/16	7/8	1 1/4	1/2	1/16	7/8	7/16	3/16	3.8
CBK90H	8.75	8.00	8.40	3	1 9/16	7/8	1 1/4	1/2	1/16	7/8	7/16	3/16	4.3
CBK95H	9.25	8.50	8.90	3	1 9/16	7/8	1 1/4	1/2	1/16	7/8	7/16	3/16	5.0
CBK100H	9.75	9.00	9.40	3	1 9/16	7/8	1 1/4	1/2	1/16	7/8	7/16	3/16	5.2
CBK105H	10.25	9.50	9.90	3	1 9/16	7/8	1 1/4	1/2	1/16	7/8	7/16	3/16	5.5
CBK110H	10.75	10.00	10.40	3	1 9/16	7/8	1 1/4	1/2	1/16	7/8	7/16	3/16	6.0
CBK115H	11.25	10.50	10.90	3	1 9/16	7/8	1 1/4	1/2	1/16	7/8	7/16	3/16	6.4
CBK120H	11.75	11.00	11.40	3	1 9/16	7/8	1 1/4	1/2	1/16	7/8	7/16	3/16	6.9
CBK130H	12.75	12.00	12.40	3	1 9/16	7/8	1 1/4	1/2	1/16	7/8	7/16	3/16	6.9
CBK140H	13.75	13.00	13.40	3	1 9/16	7/8	1 1/4	1/2	1/16	7/8	7/16	3/16	8.5
CBK150H	14.75	14.00	14.40	3	1 9/16	7/8	1 1/4	1/2	1/16	7/8	7/16	3/16	9.5
CBK160H	15.75	15.00	15.40	3	1 9/16	7/8	1 1/4	1/2	1/16	7/8	7/16	3/16	9.8
CBK190H	18.75	18.00	18.40	3	1 9/16	7/8	1 1/4	1/2	1/16	7/8	7/16	3/16	12.8

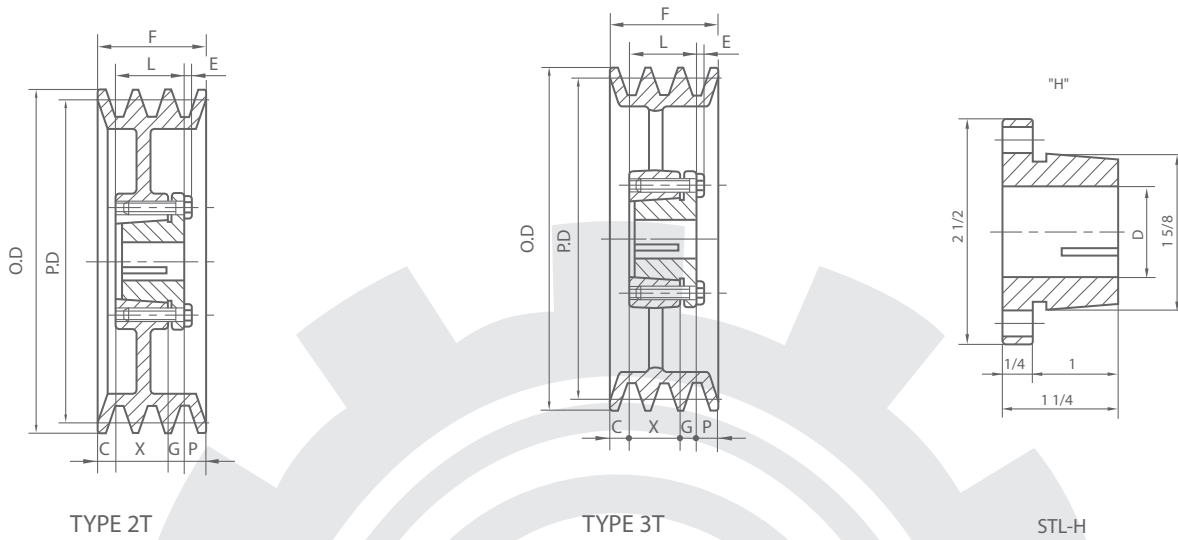
Cast Iron Sheaves



Double Groove Sheaves for "4L" or "A" Belts and "5L" or "B" Belts

Catalog Number	Diameter			Type	Dimensions								wt less Bush
	OD	PD A	PD 3L		OL	F	L	P	C	X	G	E	
2CBK32H	3.35	2.60	3.00	1D	2 ¹³ / ₁₆	1 ³ / ₄	1 ¹ / ₄	7/8	1 ⁵ / ₁₆	7/8	7/16	3/16	2.1
2CBK34H	3.55	2.80	3.20	1D	2 ¹³ / ₁₆	1 ³ / ₄	1 ¹ / ₄	7/8	1 ⁵ / ₁₆	7/8	7/16	3/16	2.4
2CBK36H	3.75	3.00	3.40	1D	2 ³ / ₈	1 ³ / ₄	1 ¹ / ₄	7/16	7/8	7/8	7/16	3/16	2.0
2CBK40H	3.95	3.20	3.60	1D	2 ³ / ₈	1 ³ / ₄	1 ¹ / ₄	7/16	7/8	7/8	7/16	3/16	2.4
2CBK45H	4.25	3.50	3.90	1D	2 ³ / ₈	1 ³ / ₄	1 ¹ / ₄	7/16	7/8	7/8	7/16	3/16	3.0
2CBK47H	4.45	3.70	4.10	2D	1 ³ / ₄	1 ³ / ₄	1 ¹ / ₄	7/16	—	7/8	7/16	3/16	2.8
2CBK50H	4.75	4.00	4.40	2D	1 ³ / ₄	1 ³ / ₄	1 ¹ / ₄	7/16	—	7/8	7/16	3/16	3.3
2CBK52H	4.95	4.20	4.60	2D	1 ³ / ₄	1 ³ / ₄	1 ¹ / ₄	7/16	—	7/8	7/16	3/16	3.6
2CBK55H	5.25	4.50	4.90	2D	1 ³ / ₄	1 ³ / ₄	1 ¹ / ₄	7/16	—	7/8	7/16	3/16	3.9
2CBK57H	5.45	4.70	5.10	2D	1 ³ / ₄	1 ³ / ₄	1 ¹ / ₄	7/16	—	7/8	7/16	3/16	4.3
2CBK60H	5.75	5.00	5.40	2D	1 ³ / ₄	1 ³ / ₄	1 ¹ / ₄	7/16	—	7/8	7/16	3/16	4.4
2CBK62H	5.95	5.20	5.60	2D	1 ³ / ₄	1 ³ / ₄	1 ¹ / ₄	7/16	—	7/8	7/16	3/16	4.5
2CBK65H	6.25	5.50	5.90	3D	1 ³ / ₄	1 ³ / ₄	1 ¹ / ₄	7/16	1/4	7/8	7/16	3/16	5.0
2CBK67H	6.45	5.70	6.10	3D	1 ³ / ₄	1 ³ / ₄	1 ¹ / ₄	7/16	1/4	7/8	7/16	3/16	5.1
2CBK70H	6.75	6.00	6.40	3D	1 ³ / ₄	1 ³ / ₄	1 ¹ / ₄	7/16	1/4	7/8	7/16	3/16	6.4
2CBK80H	7.75	7.00	7.40	3D	1 ³ / ₄	1 ³ / ₄	1 ¹ / ₄	7/16	1/4	7/8	7/16	3/16	7.6
2CBK90H	8.75	8.00	8.40	3D	1 ³ / ₄	1 ³ / ₄	1 ¹ / ₄	7/16	1/4	7/8	7/16	3/16	8.4
2CBK100H	9.75	9.00	9.40	3D	1 ³ / ₄	1 ³ / ₄	1 ¹ / ₄	7/16	1/4	7/8	7/16	3/16	9.3
2CBK110H	10.75	10.00	10.40	3D	1 ³ / ₄	1 ³ / ₄	1 ¹ / ₄	7/16	1/4	7/8	7/16	3/16	11.0
2CBK120H	11.75	11.00	11.40	3D	1 ³ / ₄	1 ³ / ₄	1 ¹ / ₄	7/16	1/4	7/8	7/16	3/16	13.1
2CBK130H	12.75	12.00	12.40	3D	1 ³ / ₄	1 ³ / ₄	1 ¹ / ₄	7/16	1/4	7/8	7/16	3/16	14.8
2CBK140H	13.75	13.00	13.40	3D	1 ³ / ₄	1 ³ / ₄	1 ¹ / ₄	7/16	1/4	7/8	7/16	3/16	16.2
2CBK160H	15.75	15.00	15.40	3D	1 ³ / ₄	1 ³ / ₄	1 ¹ / ₄	7/16	1/4	7/8	7/16	3/16	17.5
2CBK190H	18.75	18.00	18.40	3D	1 ³ / ₄	1 ³ / ₄	1 ¹ / ₄	7/16	1/4	7/8	7/16	3/16	21.5

Cast Iron Sheaves



Single Groove Sheaves for "4L" or "A"Belts and "5L" or "B" Belts

Catalog Number	Diameter			Type	Dimensions								wt less Bush
	O.D	P.D A	P.D 3L		OL	F	L	P	C	X	G	E	
3CBK45H	4.25	3.50	3.90	2T	25/8	2 1/2	1 1/4	1/2	11/16	7/8	7/16	3/16	3.9
3CBK47H	4.45	3.70	4.10	2T	2 11/16	2 1/2	1 1/4	1/2	11/16	7/8	7/16	3/16	4.2
3CBK50H	4.75	4.00	4.40	2T	3	2 1/2	1 1/4	1/2	11/16	7/8	7/16	3/16	4.4
3CBK52H	4.95	4.20	4.60	2T	3 3/16	2 1/2	1 1/4	1/2	11/16	7/8	7/16	3/16	4.7
3CBK55H	5.25	4.50	4.90	2T	3 1/2	2 1/2	1 1/4	1/2	11/16	7/8	7/16	3/16	5.1
3CBK57H	5.45	4.70	5.10	2T	3 11/16	2 1/2	1 1/4	1/2	11/16	7/8	7/16	3/16	5.3
3CBK60H	5.75	5.00	5.40	3T	4	2 1/2	1 1/4	1/2	11/16	7/8	7/16	3/16	5.6
3CBK62H	5.95	5.20	5.60	3T	4 3/16	2 1/2	1 1/4	1/2	11/16	7/8	7/16	3/16	5.8
3CBK65H	6.25	5.50	5.90	3T	4 1/2	2 1/2	1 1/4	29/32	9/32	7/8	7/16	3/16	5.8
3CBK67H	6.45	5.70	6.10	3T	4 11/16	2 1/2	1 1/4	29/32	9/32	7/8	7/16	3/16	6.2
3CBK70H	6.75	6.00	6.40	3T	5	2 1/2	1 1/4	29/32	9/32	7/8	7/16	3/16	6.6
3CBK80H	7.75	7.00	7.40	3T	6	2 1/2	1 1/4	27/32	11/32	7/8	7/16	3/16	8.3
3CBK90H	8.75	8.00	8.40	3T	7	2 1/2	1 1/4	27/32	11/32	7/8	7/16	3/16	9.8
3CBK100H	9.75	9.00	9.40	3T	8	2 1/2	1 1/4	27/32	11/32	7/8	7/16	3/16	10.9
3CBK110H	10.75	10.00	10.40	3T	9	2 1/2	1 1/4	27/32	11/32	7/8	7/16	3/16	12.1
3CBK120H	11.75	11.00	11.40	3T	10	2 1/2	1 1/4	27/32	11/32	7/8	7/16	3/16	14.3
3CBK130H	12.75	12.00	12.40	3T	11	2 1/2	1 1/4	25/32	13/32	7/8	7/16	3/16	16.2
3CBK140H	13.75	13.00	13.40	3T	12	2 1/2	1 1/4	25/32	13/32	7/8	7/16	3/16	17.7
3CBK160H	15.75	15.00	15.40	3T	14	2 1/2	1 1/4	25/32	13/32	7/8	7/16	3/16	21.0
3CBK190H	18.75	18.00	18.40	3T	17	2 1/2	1 1/4	25/32	13/32	7/8	7/16	3/16	25.8