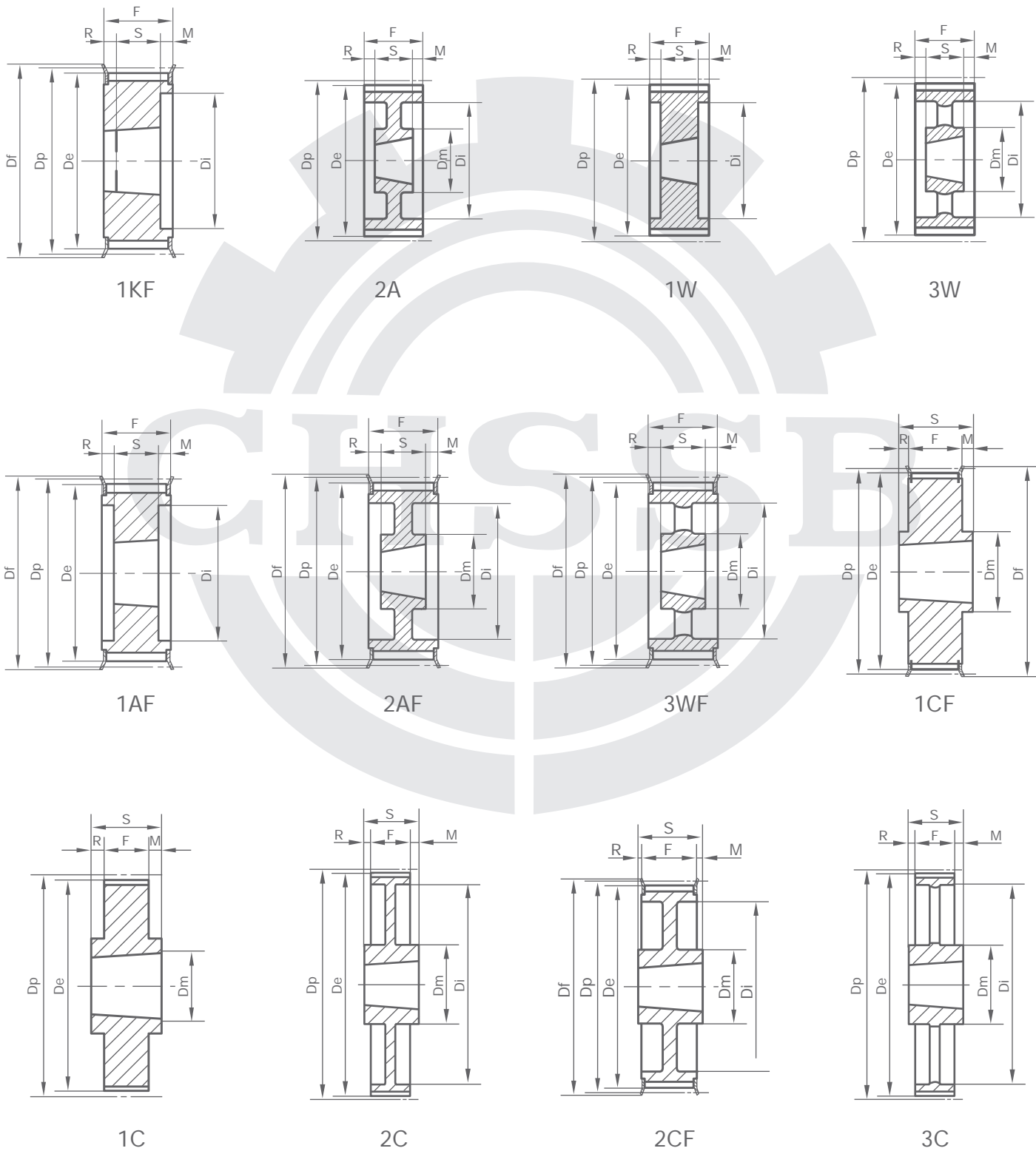


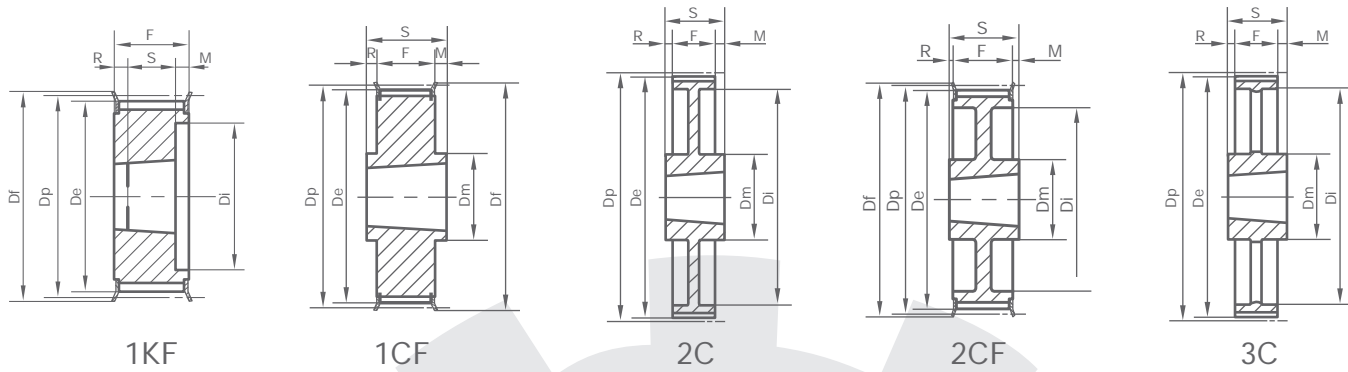
**T<sub>B</sub><sup>aper</sup>** HTP *Timing pulley*

**BTL**



**T<sub>B</sub><sup>aper</sup>** **HTP** *Timing pulley*

**BTL**



**HTP 8M-20**

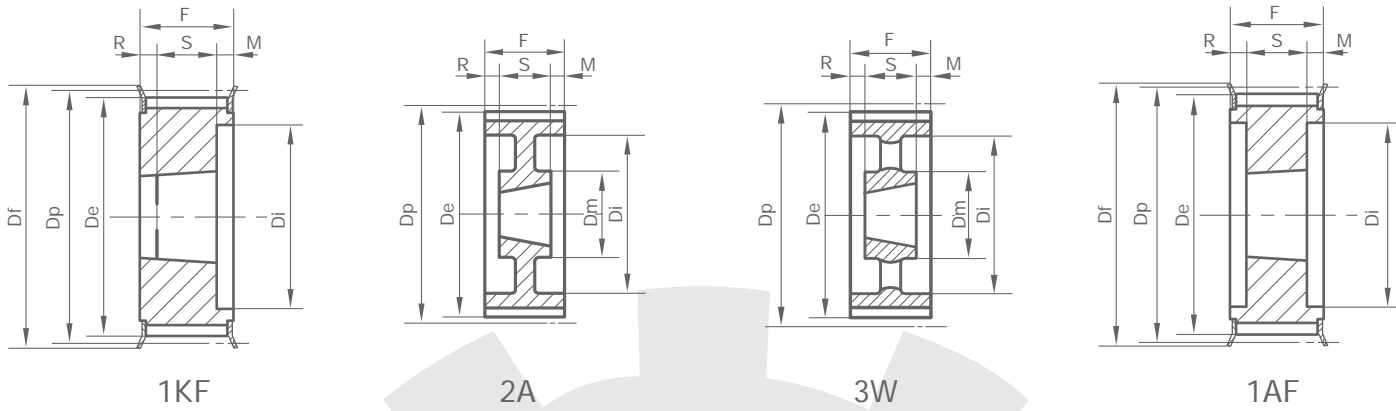
SPCFCTN	TYPE	BUSH	Z	Diameter					Dimension				Max Bore	wt (lbs)
				Dp	De	Df	Dm	Di	R	M	S	F		
TB24-8M20F	1KF	1108	24	2.406	2.352	23/4	—	125/32	1/16	3/16	7/8	11/8	1	0.7
TB26-8M20F	1KF	1108	26	2.607	2.553	215/16	—	131/32	1/16	3/16	7/8	11/8	1	0.9
TB28-8M20F	1KF	1108	28	2.807	2.759	33/16	—	2	1/16	3/16	7/8	11/8	1	1.2
TB30-8M20F	1KF	1210	30	3.008	2.958	311/32	—	—	1/8	—	1	11/8	11/4	1.3
TB32-8M20F	1KF	1210	32	3.208	3.154	39/16	—	—	1/8	—	1	11/8	11/4	1.4
TB34-8M20F	1KF	1610	34	3.409	3.355	33/4	—	—	1/8	—	1	11/8	111/16	1.5
TB36-8M20F	1KF	1610	36	3.609	3.555	315/16	—	—	1/8	—	1	11/8	111/16	1.7
TB38-8M20F	1KF	1610	38	3.810	3.756	43/16	—	—	1/8	—	1	11/8	111/16	2.0
TB40-8M20F	1KF	1610	40	4.010	3.956	411/32	—	—	1/8	—	1	11/8	111/16	2.4
TB44-8M20F	1CF	2012	44	4.411	4.357	43/4	327/32	—	—	1/8	11/4	11/8	21/8	2.6
TB48-8M20F	1CF	2012	48	4.812	4.758	53/16	37/8	—	—	1/8	11/4	11/8	21/8	3.4
TB56-8M20F	1CF	2012	56	5.614	5.560	515/16	37/8	—	—	1/8	11/4	11/8	21/8	5.3
TB64-8M20F	1CF	2012	64	6.416	6.362	63/4	43/8	—	—	1/8	11/4	11/8	21/8	7.5
TB72-8M20F	1CF	2012	72	7.218	7.164	79/16	43/8	—	—	1/8	11/4	11/8	21/8	9.9
TB80-8M20F	2CF	2517	80	8.020	7.966	83/8	47/8	67/8	—	5/8	13/4	11/8	211/16	11.9
TB90-8M20F	2C	2517	90	9.023	8.969	—	47/8	75/8	—	5/8	13/4	11/8	211/16	12.9

**HTP 8M-30**

SPCFCTN	TYPE	BUSH	Z	Diameter					Dimension				Max Bore	wt (lbs)
				Dp	De	Df	Dm	Di	R	M	S	F		
TB24-8M30F	1KF	1108	24	2.406	2.352	23/4	—	125/32	1/8	1/2	7/8	11/2	1	0.9
TB26-8M30F	1KF	1108	26	2.607	2.553	215/16	—	131/32	1/8	1/2	7/8	11/2	1	1.2
TB28-8M30F	1KF	1108	28	2.807	2.759	33/16	—	2	1/8	1/2	7/8	11/2	1	1.6
TB30-8M30F	1KF	1210	30	3.008	2.958	311/32	—	211/32	1/8	3/8	1	11/2	11/4	1.7
TB32-8M30F	1KF	1210	32	3.208	3.154	39/16	—	29/16	1/8	3/8	1	11/2	11/4	1.9
TB34-8M30F	1KF	1610	34	3.409	3.355	33/4	—	23/4	1/8	3/8	1	11/2	111/16	2.3
TB36-8M30F	1KF	1610	36	3.609	3.555	315/16	—	213/16	1/8	3/8	1	11/2	111/16	2.5
TB38-8M30F	1KF	1610	38	3.810	3.756	43/16	—	3	1/8	3/8	1	11/2	111/16	2.7
TB40-8M30F	1KF	2012	40	4.010	3.956	411/32	—	31/4	—	1/4	11/4	11/2	111/16	2.8
TB44-8M30F	1KF	2012	44	4.411	4.357	43/4	—	31/2	—	1/4	11/4	11/2	21/8	3.4
TB48-8M30F	1KF	2012	48	4.812	4.758	53/16	—	313/16	—	1/4	11/4	11/2	21/8	4.5
TB56-8M30F	1KF	2012	56	5.614	5.560	515/16	—	49/16	—	1/4	11/4	11/2	21/8	7.0
TB64-8M30F	1CF	2517	64	6.416	6.362	63/4	47/8	—	—	1/4	13/4	11/2	21/8	8.9
TB72-8M30F	1CF	2517	72	7.218	7.164	79/16	47/8	—	—	1/4	13/4	11/2	21/8	12.1
TB80-8M30F	2CF	2517	80	8.020	7.966	83/8	47/8	—	—	1/4	13/4	11/2	211/16	15.8
TB90-8M30	2C	2517	90	9.023	8.969	—	47/8	75/8	—	1/4	13/4	11/2	211/16	18.8
TB112-8M30	3C	2517	112	11.229	11.175	—	47/8	97/8	1/8	1/8	13/4	11/2	211/16	23.5
TB144-8M30	3C	2517	144	14.437	14.383	—	47/8	127/8	1/8	1/8	13/4	11/2	211/16	31.6

**T<sub>aper</sub>B<sub>ore</sub> HTP Timing pulley**

**BTL**

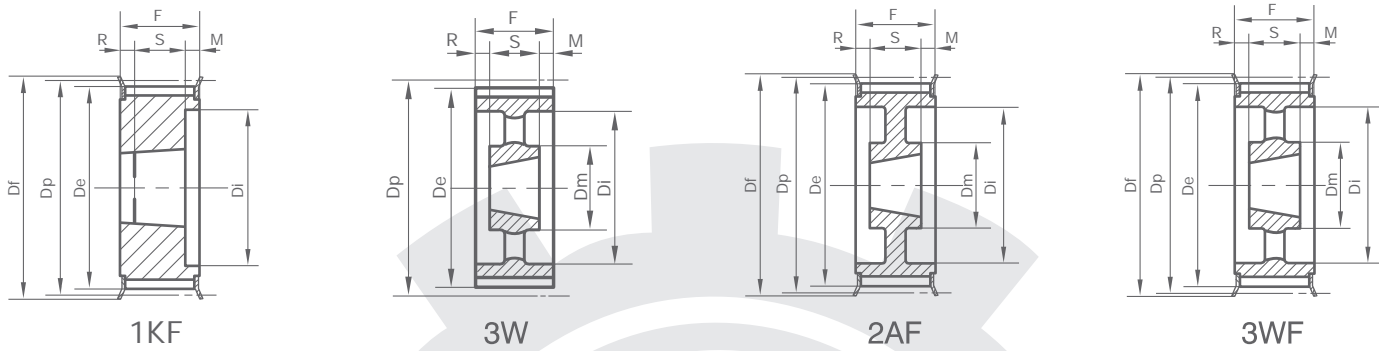


**HTP 8M-50**

SPCFCTN	TYPE	BUSH	Z	Diameter					Dimension				Max Bore	wt (lbs)
				Dp	De	Df	Dm	Di	R	M	S	F		
TB26-8M50F	1KF	1108	26	2.607	2.553	25/8	—	15/16	—	1 1/2	7/8	23/8	1	2.0
TB28-8M50F	1KF	1108	28	2.807	2.759	33/16	—	2	—	1 1/2	7/8	23/8	1	2.1
TB30-8M50F	1KF	1210	30	3.008	2.958	311/32	—	211/32	—	13/8	1	23/8	1 1/4	2.2
TB32-8M50F	1KF	1210	32	3.208	3.154	39/16	—	29/16	—	13/8	1	23/8	1 1/4	2.3
TB34-8M50F	1KF	1610	34	3.409	3.355	33/4	—	23/4	—	13/8	1	23/8	111/16	2.4
TB36-8M50F	1KF	1610	36	3.609	3.555	315/16	—	213/16	—	13/8	1	23/8	111/16	2.7
TB38-8M50F	1KF	1610	38	3.810	3.756	43/16	—	3	—	13/8	1	23/8	111/16	3.1
TB40-8M50F	1KF	2012	40	4.010	3.956	411/32	—	31/4	—	1 1/8	1 1/4	23/8	2 1/8	3.4
TB44-8M50F	1KF	2012	44	4.411	4.357	43/4	—	31/2	—	1 1/8	1 1/4	23/8	2 1/8	4.3
TB48-8M50F	1KF	2012	48	4.812	4.758	53/16	—	313/16	—	1 1/8	1 1/4	23/8	2 1/8	5.5
TB56-8M50F	1KF	2517	56	5.614	5.560	515/16	—	49/16	—	5/8	13/4	23/8	211/16	8.1
TB64-8M50F	1KF	2517	64	6.416	6.362	63/4	—	57/16	—	5/8	13/4	23/8	211/16	11.7
TB72-8M50F	1KF	2517	72	7.218	7.164	79/16	—	63/16	—	5/8	13/4	23/8	211/16	15.7
TB80-8M50F	1KF	2517	80	8.020	7.966	83/8	—	615/16	—	5/8	13/4	23/8	211/16	20.3
TB90-8M50	1W	3020	90	9.023	8.969	—	—	75/8	—	3/8	2	23/8	3 1/4	31.7
TB112-8M50	3W	3020	112	11.229	11.175	—	6 1/4	97/8	—	3/8	2	23/8	3 1/4	34.7
TB144-8M50	3W	3020	144	14.437	14.383	—	7 1/2	127/8	—	3/8	2	23/8	3 1/4	36.0
TB192-8M50	3W	3020	192	19.249	19.195	—	7 1/2	175/8	—	3/8	2	23/8	3 1/4	67.2

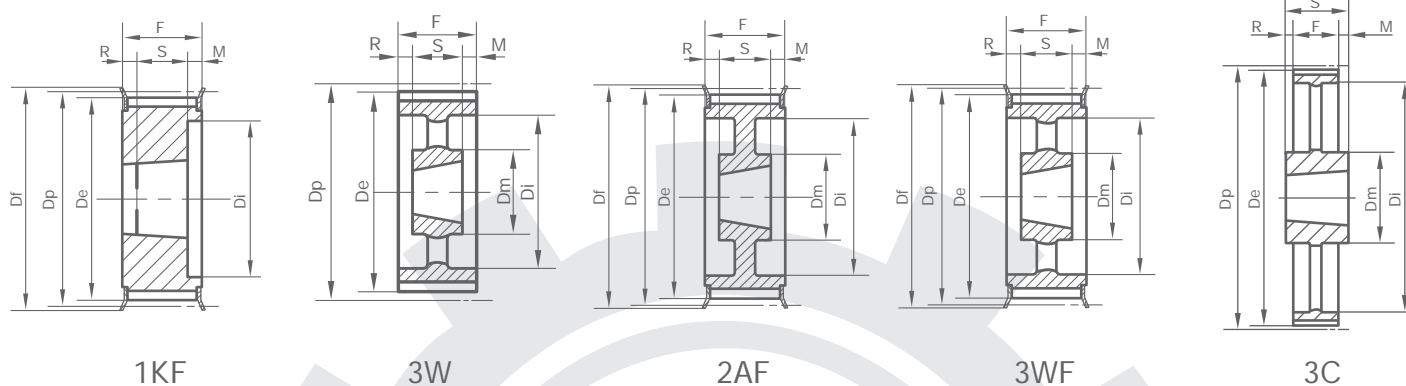
**HTP 8M-85**

SPCFCTN	TYPE	BUSH	Z	Diameter					Dimension				Max Bore	wt (lbs)
				Dp	De	Df	Dm	Di	R	M	S	F		
TB34-8M85F	1AF	1615	34	3.409	3.355	33/4	—	23/4	3/4	1 1/2	1 1/2	33/4	111/16	3.3
TB36-8M85F	1AF	1615	36	3.609	3.555	315/16	—	213/16	3/4	1 1/2	1 1/2	33/4	111/16	4.2
TB38-8M85F	1AF	1615	38	3.810	3.756	43/16	—	3	3/4	1 1/2	1 1/2	33/4	111/16	4.7
TB40-8M85F	1AF	2012	40	4.010	3.956	411/32	—	31/4	1 1/4	1 1/4	1 1/4	33/4	2 1/8	5.7
TB44-8M85F	1AF	2012	44	4.411	4.357	43/4	—	31/2	1 1/4	1 1/4	1 1/4	33/4	2 1/8	6.4
TB48-8M85F	1AF	2012	48	4.812	4.758	53/16	—	313/16	1 1/4	1 1/4	1 1/4	33/4	2 1/8	8.0
TB56-8M85F	1AF	2517	56	5.614	5.560	515/16	—	41/2	1	1	13/4	33/4	211/16	10.0
TB64-8M85F	1AF	2517	64	6.416	6.362	63/4	—	57/16	1	1	13/4	33/4	211/16	15.0
TB72-8M85F	1AF	3020	72	7.218	7.164	79/16	—	63/16	7/8	7/8	2	33/4	3 1/4	18.2
TB80-8M85F	1AF	3020	80	8.020	7.966	83/8	—	615/16	7/8	7/8	2	33/4	3 1/4	24.2
TB90-8M85	1W	3020	90	9.023	8.969	—	—	75/8	7/8	7/8	2	33/4	3 1/4	31.9
TB112-8M85	3W	3020	112	11.229	11.175	—	6 1/4	97/8	7/8	7/8	2	33/4	3 1/4	34.6
TB144-8M85	3W	3535	144	14.437	14.383	—	7	127/8	1/8	1/8	3 1/2	33/4	315/16	49.6
TB192-8M85	3W	3535	192	19.249	19.195	—	7	175/8	1/8	1/8	3 1/2	33/4	315/16	81.4



**HTP 14M-40**

SPCFCTN	TYPE	BUSH	Z	Diameter					Dimension				Max Bore	wt (lbs)
				Dp	De	Df	Dm	Di	R	M	S	F		
B28-14M40F	1KF	2012	28	4.912	4.808	59/16	—	33/8	—	7/8	1 1/4	2 1/8	2 1/8	3.5
B29-14M40F	1KF	2012	29	5.088	4.983	59/16	—	33/8	—	7/8	1 1/4	2 1/8	2 1/8	3.9
B30-14M40F	1KF	2012	30	5.263	5.157	61/8	—	3 15/16	—	7/8	1 1/4	2 1/8	2 1/8	6.4
B32-14M40F	1KF	2012	32	5.614	7	61/8	—	3 15/16	—	7/8	1 1/4	2 1/8	2 1/8	8.0
B34-14M40F	1KF	2012	34	5.965	5.858	6 1/2	—	4 1/16	—	7/8	1 1/4	2 1/8	2 1/8	9.4
B36-14M40F	1KF	2517	36	6.316	6.208	6 13/16	—	4 11/16	—	3/8	1 3/4	2 1/8	2 11/16	10.5
B38-14M40F	1KF	2517	38	6.667	6.559	7 5/32	—	4 13/16	—	3/8	1 3/4	2 1/8	2 11/16	12.2
B40-14M40F	1KF	2517	40	7.018	6.909	7 1/2	—	5 3/16	—	3/8	1 3/4	2 1/8	2 11/16	14.2
B44-14M40F	1KF	2517	44	7.720	7.610	8 7/32	—	6 1/8	—	3/8	1 3/4	2 1/8	2 11/16	17.6
B48-14M40F	1KF	2517	48	8.421	8.311	8 15/16	—	6 1/2	—	3/8	1 3/4	2 1/8	2 11/16	22.0
B52-14M40F	1KF	2517	52	9.123	9.013	9 11/16	—	7 3/16	—	3/8	1 3/4	2 1/8	2 11/16	26.5
B56-14M40F	2AF	2517	56	9.825	9.715	10 3/8	4 7/8	7 7/8	—	3/8	1 3/4	2 1/8	2 11/16	31.5
B60-14M40F	2AF	3020	60	10.527	10.417	11 1/16	6 1/4	8 1/2	—	1/8	2	2 1/8	3 1/4	33.7
B64-14M40F	2AF	3020	64	11.229	11.119	11 3/4	6 1/4	9 1/4	—	1/8	2	2 1/8	3 1/4	36.5
B68-14M40F	2AF	3020	68	11.930	11.820	12 1/2	6 1/4	10	—	1/8	2	2 1/8	3 1/4	39.3
B72-14M40F	2AF	3020	72	12.632	12.522	13 3/16	6 1/4	10 11/16	—	1/8	2	2 1/8	3 1/4	42.6
B80-14M40F	3WF	3020	80	14.036	13.926	14 5/8	6 1/4	12 1/8	—	1/8	2	2 1/8	3 1/4	48.8
B90-14M40	3W	3020	90	15.796	15.680	—	6 1/4	13 9/16	—	1/8	2	2 1/8	3 1/4	54.5
B112-14M40	3W	3020	112	19.650	19.540	—	6 1/4	17 3/8	—	1/8	2	2 1/8	3 1/4	64.9
B144-14M40	3W	3020	144	25.264	25.154	—	6 1/4	23	—	1/8	2	2 1/8	3 1/4	97.4
B168-14M40	3W	3020	168	29.475	29.365	—	6 1/4	27 1/4	1/16	1/16	2	2 1/8	3 1/4	135.6
B192-14M40	3W	3020	192	33.686	33.576	—	6 1/4	31 3/8	1/16	1/16	2	2 1/8	3 1/4	208.5
B216-14M40	3W	3020	216	37.896	37.786	—	7	35 5/8	1/16	1/16	2	2 1/8	3 15/16	281.0

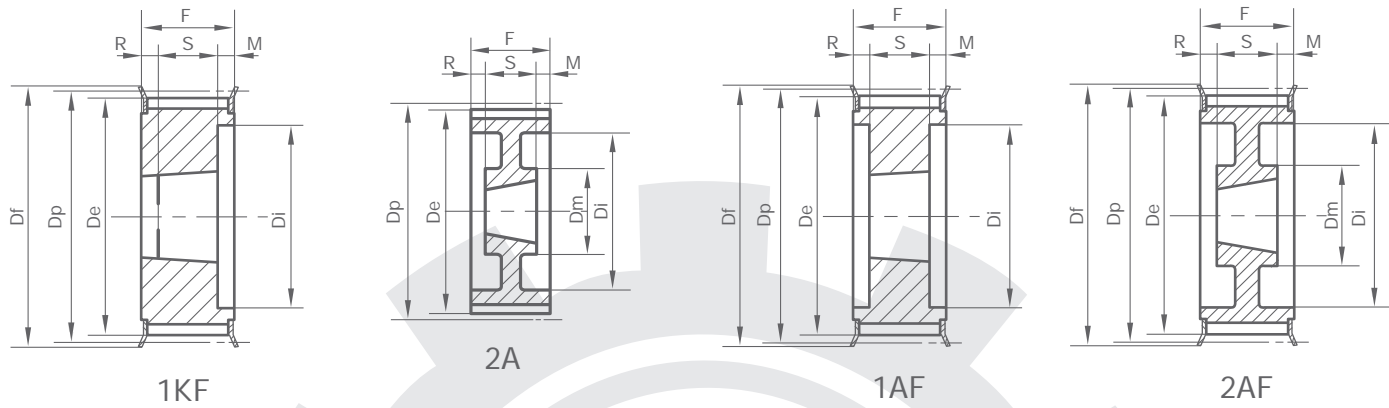


**HTP 14M-55**

SPCFCTN	TYPE	BUSH	Z	Diameter					Dimension				Max Bore	wt (lbs)
				Dp	De	Df	Dm	Di	R	M	S	F		
TB28-14M55F	1KF	2012	28	4.912	4.808	59/16	—	33/8	—	1 1/2	1 1/4	23/4	21/8	7.4
TB29-14M55F	1KF	2012	29	5.088	4.984	59/16	—	33/8	—	1 1/2	1 1/4	23/4	21/8	8.4
TB30-14M55F	1KF	2517	30	5.263	5.157	61/8	—	315/16	—	1	1 3/4	23/4	211/16	8.6
TB32-14M55F	1KF	2517	32	5.614	5.507	61/8	—	315/16	—	1	1 3/4	23/4	211/16	9.3
TB34-14M55F	1KF	2517	34	5.965	5.858	61/2	—	41/16	—	1	1 3/4	23/4	211/16	11.2
TB36-14M55F	1KF	2517	36	6.316	6.208	613/16	—	411/16	—	1	1 3/4	23/4	211/16	12.4
TB38-14M55F	1KF	2517	38	6.667	6.559	75/32	—	413/16	—	1	1 3/4	23/4	211/16	14.4
TB40-14M55F	1KF	2517	40	7.018	6.908	71/2	—	53/16	—	1	1 3/4	23/4	211/16	16.7
TB44-14M55F	1KF	2517	44	7.720	7.610	87/32	—	61/8	—	1	1 3/4	23/4	211/16	19.9
TB48-14M55F	1KF	3020	48	8.421	8.311	815/16	—	61/2	—	3/4	2	23/4	31/4	29.2
TB52-14M55F	1KF	3020	52	9.123	9.013	911/16	—	73/16	—	3/4	2	23/4	31/4	34.5
TB56-14M55F	1KF	3020	56	9.825	9.715	103/8	—	77/8	—	3/4	2	23/4	31/4	40.1
TB60-14M55F	2AF	3020	60	10.527	10.417	111/16	61/4	81/2	—	3/4	2	23/4	31/4	46.4
TB64-14M55F	2AF	3020	64	11.229	11.119	113/4	61/4	91/4	—	3/4	2	23/4	31/4	52.7
TB68-14M55F	2AF	3020	68	11.930	11.820	121/2	61/4	10	—	3/4	2	23/4	31/4	55.5
TB72-14M55F	2AF	3020	72	12.632	12.522	133/16	61/4	1011/16	—	3/4	2	23/4	31/4	59.5
TB80-14M55F	3WF	3020	80	14.036	13.926	145/8	61/4	121/8	—	3/4	2	23/4	31/4	65.2
TB90-14M55	3W	3020	90	15.790	15.680	—	61/4	139/16	—	3/4	2	23/4	31/4	76.1
TB112-14M55	3W	3020	112	19.650	19.540	—	61/4	173/8	—	3/4	2	23/4	31/4	89.8
TB144-14M55	3W	3020	144	25.364	25.154	—	61/4	23	—	3/4	2	23/4	31/4	104.4
TB168-14M55	3W	3020	168	29.475	29.365	—	61/4	271/4	3/8	3/8	2	23/4	31/4	128.6
TB192-14M55	3C	3535	192	33.686	33.576	—	7	313/8	3/8	3/8	31/2	23/4	315/16	154.2
TB216-14M55	3C	3535	216	37.896	37.786	—	7	355/8	3/8	3/8	31/2	23/4	315/16	160.0

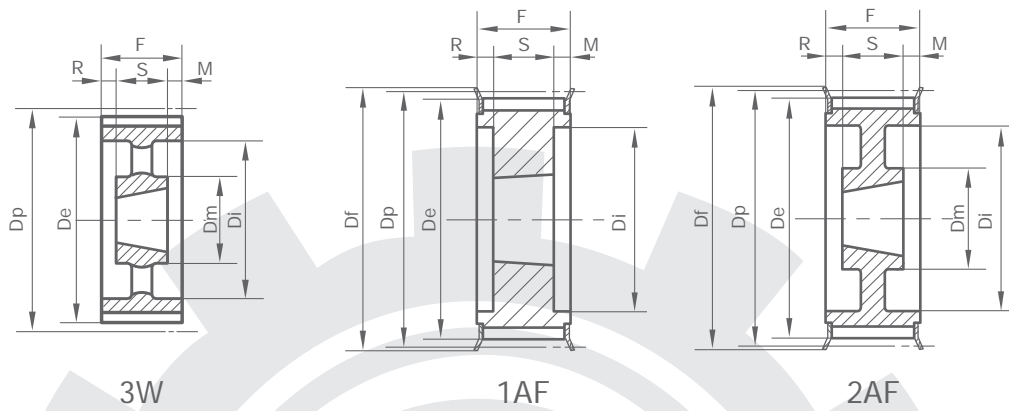
**T<sub>B</sub><sup>aper</sup>** **HTP** *Timing pulley*

**BTL**



**HTP 14M-85**

SPCFCTN	TYPE	BUSH	Z	Diameter					Dimension				Max Bore	wt (lbs)
				Dp	De	Df	Dm	Di	R	M	S	F		
TB28-14M85F	1AF	2517	28	4.912	4.802	59/16	—	33/8	11/8	11/8	13/4	4	211/16	8.9
TB29-14M85F	1AF	2517	29	5.088	4.983	59/16	—	33/8	11/8	11/8	13/4	4	211/16	9.4
TB30-14M85F	1AF	2517	30	5.263	5.157	61/8	—	315/16	1/2	13/4	13/4	4	211/16	9.7
TB32-14M85F	1AF	2517	32	5.614	5.507	61/8	—	315/16	7/8	13/8	13/4	4	211/16	12.7
TB34-14M85F	1AF	2517	34	5.965	5.858	61/2	—	41/16	7/8	13/8	13/4	4	211/16	15.3
TB36-14M85F	1AF	2517	36	6.316	6.208	613/16	—	411/16	17/32	115/32	2	4	31/4	19.3
TB38-14M85F	1AF	3020	38	6.667	6.559	75/32	—	413/16	17/32	115/32	2	4	31/4	21.9
TB40-14M85F	1AF	3020	40	7.018	6.908	71/2	—	51/16	17/32	115/32	2	4	31/4	25.1
TB44-14M85F	1AF	3020	44	7.720	7.610	87/32	—	61/8	17/32	115/32	2	4	31/4	28.4
TB48-14M85F	1AF	3020	48	8.421	8.311	815/16	—	61/2	17/32	115/32	2	4	31/4	35.4
TB52-14M85F	1KF	3535	52	9.123	9.013	911/16	—	73/16	—	1/2	31/2	4	315/16	42.9
TB56-14M85F	1KF	3535	56	9.825	9.715	103/8	—	77/8	—	1/2	31/2	4	315/16	52.4
TB60-14M85F	1KF	3535	60	10.527	10.417	111/16	—	81/2	—	1/2	31/2	4	315/16	62.7
TB64-14M85F	1KF	3535	64	11.229	11.119	113/4	—	91/4	—	1/2	31/2	4	315/16	73.6
TB68-14M85F	1KF	3535	68	11.930	11.820	121/2	—	10	—	1/2	31/2	4	315/16	84.2
TB72-14M85F	1KF	3535	72	12.632	12.522	133/16	—	1011/16	—	1/2	31/2	4	315/16	97.4
TB80-14M85F	1KF	3535	80	14.036	13.926	145/8	—	121/8	—	1/2	31/2	4	315/16	108.3
TB90-14M85	2A	3535	90	15.790	15.680	—	7	139/16	—	1/2	31/2	4	315/16	119.2
TB112-14M85	2A	3535	112	19.650	19.540	—	7	173/8	—	1/2	31/2	4	315/16	125.7
TB144-14M85	2A	4040	144	25.364	25.154	—	81/2	23	—	—	4	4	47/16	131.6
TB168-14M85	2A	4040	168	29.475	29.365	—	81/2	271/4	—	—	4	4	47/16	146.1
TB192-14M85	2A	4040	192	33.686	33.576	—	81/2	313/8	—	—	4	4	47/16	161.4
TB216-14M85	2A	4040	216	37.896	37.786	—	81/2	355/8	—	—	4	4	47/16	185.6

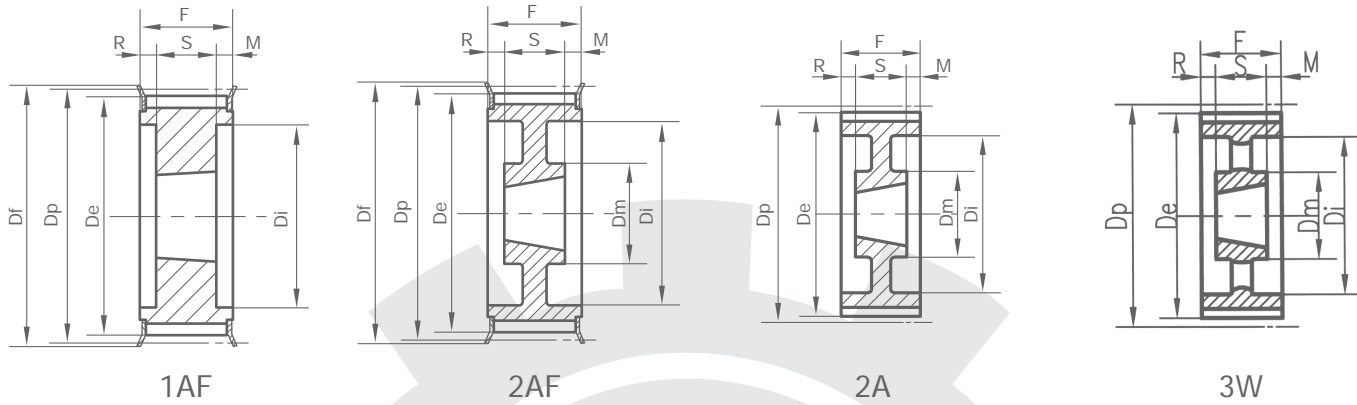


HTP 14M-115

SPCFCTN	TYPE	BUSH	Z	Diameter					Dimension				Max Bore	wt (lbs)
				Dp	De	Df	Dm	Di	R	M	S	F		
TB28-14M115F	1AF	2517	28	4.912	4.802	59/16	—	33/8	13/4	13/4	13/4	51/4	211/16	11.7
TB29-14M115F	1AF	2517	29	5.088	4.983	59/16	—	33/8	13/4	13/4	13/4	51/4	211/16	12.8
TB30-14M115F	1AF	2517	30	5.263	5.157	61/8	—	315/16	13/4	13/4	13/4	51/4	211/16	13.5
TB32-14M115F	1AF	2517	32	5.614	5.507	61/8	—	315/16	13/4	13/4	13/4	51/4	211/16	17.3
TB34-14M115F	1AF	2517	34	5.965	5.858	61/2	—	41/16	13/4	13/4	13/4	51/4	211/16	20.9
TB36-14M115F	1AF	3020	36	6.316	6.208	613/16	—	411/16	15/8	115/32	2	51/4	31/4	21.5
TB38-14M115F	1AF	3020	38	6.667	6.559	75/32	—	413/16	15/8	115/32	2	51/4	31/4	22.8
TB40-14M115F	1AF	3020	40	7.018	6.908	71/2	—	51/16	15/8	115/32	2	51/4	31/4	26.8
TB44-14M115F	1AF	3535	44	7.720	7.610	87/32	—	61/8	5/8	11/8	31/2	51/4	315/16	30.8
TB48-14M115F	1AF	3535	48	8.421	8.311	815/16	—	61/2	5/8	11/8	31/2	51/4	315/16	41.1
TB52-14M115F	1AF	4040	52	9.123	9.013	911/16	—	73/16	5/8	7/8	4	51/4	315/16	46.9
TB56-14M115F	1AF	4040	56	9.825	9.715	103/8	—	77/8	5/8	7/8	4	51/4	47/16	58.3
TB60-14M115F	1AF	4040	60	10.527	10.417	111/16	—	81/2	5/8	7/8	4	51/4	47/16	70.9
TB64-14M115F	1AF	4545	64	11.229	11.119	113/4	—	91/4	3/8	7/8	41/2	51/4	47/16	82.1
TB68-14M115F	1AF	4545	68	11.930	11.820	121/2	—	10	3/8	7/8	41/2	51/4	415/16	97.1
TB72-14M115F	1AF	4545	72	12.632	12.522	133/16	—	1011/16	3/8	7/8	41/2	51/4	415/16	113.3
TB80-14M115F	2AF	4545	80	14.036	13.926	145/8	91/2	121/8	3/8	7/8	41/2	51/4	415/16	118.9
TB90-14M115	2W	4545	90	15.790	15.680	—	91/2	139/16	3/8	7/8	41/2	51/4	415/16	122.5
TB112-14M115	3W	4545	112	19.650	19.540	—	91/2	173/8	3/8	7/8	41/2	51/4	415/16	132.4
TB144-14M115	3W	4545	144	25.364	25.154	—	91/2	23	3/8	5/8	41/2	51/4	415/16	155.0
TB168-14M115	3W	4545	168	29.475	29.365	—	91/2	271/4	3/8	5/8	41/2	51/4	415/16	188.0
TB192-14M115	3W	4545	192	33.686	33.576	—	91/2	313/8	3/8	5/8	41/2	51/4	415/16	318.8
TB216-14M115	3W	5050	216	37.896	37.786	—	151/2	355/8	—	1/4	5	51/4	6	350.3

**T<sub>B</sub> HTP** *Timing pulley*

**BTL**



**HTP 14M170**

SPCFCTN	TYPE	BUSH	Z	Diameter					Dimension				Max Bore	wt (lbs)
				Dp	De	Df	Dm	Di	R	M	S	F		
TB38-14M170F	1AF	3030	38	6.667	6.559	7 <sup>9</sup> / <sub>16</sub>	—	4 <sup>13</sup> / <sub>16</sub>	2 <sup>3</sup> / <sub>16</sub>	2 <sup>3</sup> / <sub>16</sub>	3	7 <sup>3</sup> / <sub>8</sub>	3 <sup>1</sup> / <sub>4</sub>	32.4
TB40-14M170F	1AF	3030	40	7.018	6.908	7 <sup>7</sup> / <sub>8</sub>	—	3 <sup>1</sup> / <sub>16</sub>	2 <sup>3</sup> / <sub>16</sub>	2 <sup>3</sup> / <sub>16</sub>	3	7 <sup>3</sup> / <sub>8</sub>	3 <sup>1</sup> / <sub>4</sub>	36.5
TB44-14M170F	1AF	3535	44	7.720	7.610	8 <sup>7</sup> / <sub>32</sub>	—	6 <sup>1</sup> / <sub>8</sub>	1 <sup>15</sup> / <sub>16</sub>	1 <sup>15</sup> / <sub>16</sub>	3 <sup>1</sup> / <sub>2</sub>	7 <sup>3</sup> / <sub>8</sub>	3 <sup>15</sup> / <sub>16</sub>	39.7
TB48-14M170F	1AF	3535	48	8.421	8.311	8 <sup>15</sup> / <sub>16</sub>	—	6 <sup>1</sup> / <sub>2</sub>	1 <sup>15</sup> / <sub>16</sub>	1 <sup>15</sup> / <sub>16</sub>	3 <sup>1</sup> / <sub>2</sub>	7 <sup>3</sup> / <sub>8</sub>	3 <sup>15</sup> / <sub>16</sub>	52.8
TB52-14M170F	1AF	4040	52	9.123	9.013	9 <sup>11</sup> / <sub>16</sub>	—	7 <sup>3</sup> / <sub>16</sub>	1 <sup>11</sup> / <sub>16</sub>	1 <sup>11</sup> / <sub>16</sub>	4	7 <sup>3</sup> / <sub>8</sub>	4 <sup>7</sup> / <sub>16</sub>	59.8
TB56-14M170F	1AF	4040	56	9.825	9.715	10 <sup>3</sup> / <sub>8</sub>	—	7 <sup>7</sup> / <sub>8</sub>	1 <sup>11</sup> / <sub>16</sub>	1 <sup>11</sup> / <sub>16</sub>	4	7 <sup>3</sup> / <sub>8</sub>	4 <sup>7</sup> / <sub>16</sub>	72.4
TB60-14M170F	1AF	4545	60	10.527	10.417	11 <sup>1</sup> / <sub>16</sub>	—	8 <sup>1</sup> / <sub>2</sub>	1 <sup>7</sup> / <sub>16</sub>	1 <sup>7</sup> / <sub>16</sub>	4 <sup>1</sup> / <sub>2</sub>	7 <sup>3</sup> / <sub>8</sub>	4 <sup>15</sup> / <sub>16</sub>	83.7
TB64-14M170F	1AF	4545	64	11.229	11.119	11 <sup>3</sup> / <sub>4</sub>	—	9 <sup>1</sup> / <sub>4</sub>	1 <sup>7</sup> / <sub>16</sub>	1 <sup>7</sup> / <sub>16</sub>	4 <sup>1</sup> / <sub>2</sub>	7 <sup>3</sup> / <sub>8</sub>	4 <sup>15</sup> / <sub>16</sub>	98.6
TB68-14M170F	1AF	4545	68	11.930	11.820	12 <sup>1</sup> / <sub>2</sub>	—	10	1 <sup>7</sup> / <sub>16</sub>	1 <sup>7</sup> / <sub>16</sub>	4 <sup>1</sup> / <sub>2</sub>	7 <sup>3</sup> / <sub>8</sub>	4 <sup>15</sup> / <sub>16</sub>	114.4
TB72-14M170F	1AF	4545	72	12.632	12.522	13 <sup>3</sup> / <sub>16</sub>	—	10 <sup>11</sup> / <sub>16</sub>	1 <sup>7</sup> / <sub>16</sub>	1 <sup>7</sup> / <sub>16</sub>	4 <sup>1</sup> / <sub>2</sub>	7 <sup>3</sup> / <sub>8</sub>	4 <sup>15</sup> / <sub>16</sub>	131.8
TB80-14M170F	2AF	4545	80	14.036	13.926	14 <sup>5</sup> / <sub>8</sub>	9 <sup>1</sup> / <sub>2</sub>	12 <sup>1</sup> / <sub>8</sub>	1 <sup>7</sup> / <sub>16</sub>	1 <sup>7</sup> / <sub>16</sub>	4 <sup>1</sup> / <sub>2</sub>	7 <sup>3</sup> / <sub>8</sub>	4 <sup>15</sup> / <sub>16</sub>	129.3
TB90-14M170	2A	4545	90	15.790	15.680	—	9 <sup>1</sup> / <sub>2</sub>	13 <sup>9</sup> / <sub>16</sub>	1 <sup>7</sup> / <sub>16</sub>	1 <sup>7</sup> / <sub>16</sub>	4 <sup>1</sup> / <sub>2</sub>	7 <sup>3</sup> / <sub>8</sub>	4 <sup>15</sup> / <sub>16</sub>	136.8
TB112-14M170	3W	5050	112	19.650	19.540	—	15 <sup>1</sup> / <sub>2</sub>	17 <sup>3</sup> / <sub>8</sub>	1 <sup>3</sup> / <sub>16</sub>	1 <sup>3</sup> / <sub>16</sub>	5	7 <sup>3</sup> / <sub>8</sub>	4 <sup>15</sup> / <sub>16</sub>	148.0
TB144-14M170	3W	5050	144	25.364	25.154	—	15 <sup>1</sup> / <sub>2</sub>	23	1 <sup>3</sup> / <sub>16</sub>	1 <sup>3</sup> / <sub>16</sub>	5	7 <sup>3</sup> / <sub>8</sub>	6	208.0
TB168-14M170	3W	5050	168	29.475	29.365	—	15 <sup>1</sup> / <sub>2</sub>	27 <sup>1</sup> / <sub>4</sub>	1 <sup>3</sup> / <sub>16</sub>	1 <sup>3</sup> / <sub>16</sub>	5	7 <sup>3</sup> / <sub>8</sub>	6	227.0
TB192-14M170	3W	5050	192	33.686	33.576	—	15 <sup>1</sup> / <sub>2</sub>	31 <sup>3</sup> / <sub>8</sub>	1 <sup>3</sup> / <sub>16</sub>	1 <sup>3</sup> / <sub>16</sub>	5	7 <sup>3</sup> / <sub>8</sub>	6	340.0
TB216-14M170	3W	5050	216	37.896	37.786	—	15 <sup>1</sup> / <sub>2</sub>	35 <sup>5</sup> / <sub>8</sub>	1 <sup>3</sup> / <sub>16</sub>	1 <sup>3</sup> / <sub>16</sub>	5	7 <sup>3</sup> / <sub>8</sub>	6	390.0

**Bore Range**

Bushings	Bore Range
1108	1/2-1 1/8
1210 1215	1/2-1 1/4
1610 1615	1/2-1 5/8
2012	1/2-2"
2517	1/2-2 1/2
3020 3030	7/8-3"
3535	1 3/16-3 1/2
4040	1 7/16-4"
4545	1 15/16-4 1/2
5050	4 7/16-6"

**Standard Keyseats**

Bore Range	Keyseat	Bore Range	Keyseat
1/2-9/16	1/8x1/16	25/16-23/4	5/8x5/16
5/8-7/8	3/16x3/32	213/16-31/4	3/4x3/8
15/16-1 1/4	1/4x1/8	35/16-33/4	7/8x7/16
15/16-1 3/8	5/16x5/32	313/16-4 1/2	1x1/2
1 7/16-1 3/4	3/8x3/16	49/16-5 1/2	1 1/4x5/8
1 13/16-2 1/4	1/2x1/4	59/16-6 1/2	1 1/2x3/4