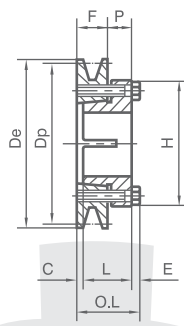


**T_{aper}
B_{ore}** V-pulleys

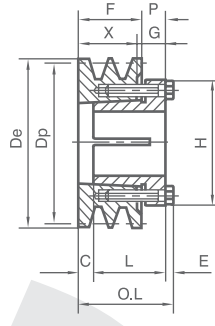
3V-5V-8V

Cast Iron Sheaves

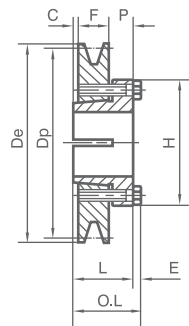
STL



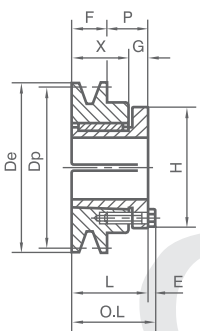
G1



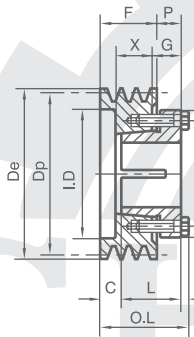
G2



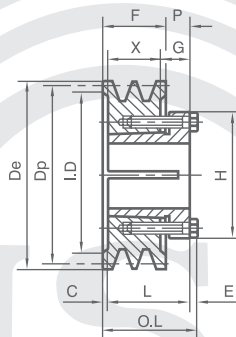
H1



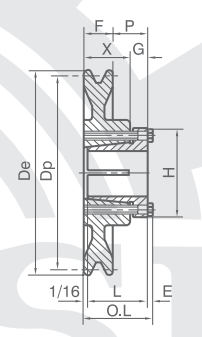
2



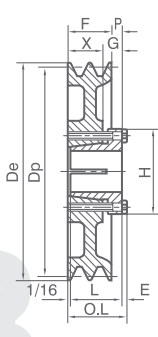
4



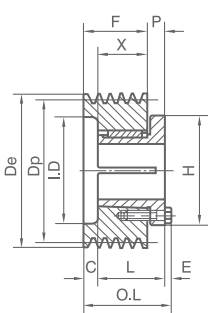
H2



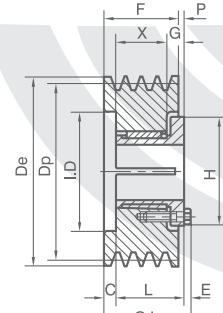
H3



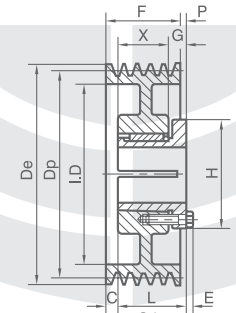
H4



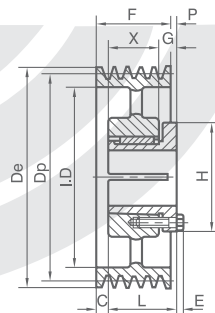
5



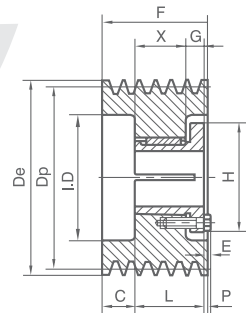
4A



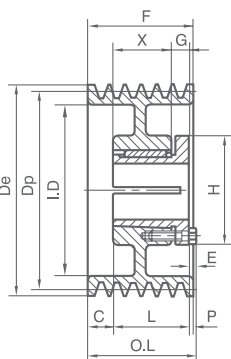
4B



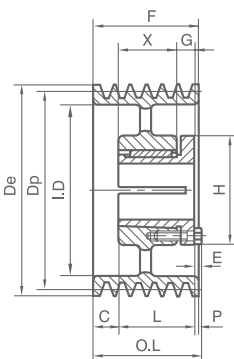
4C



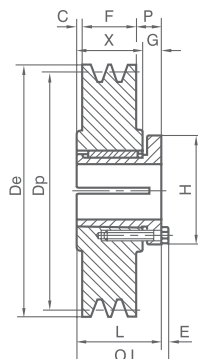
6A



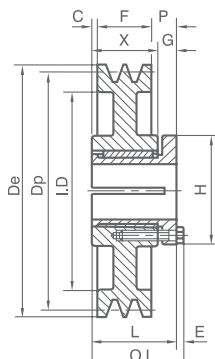
6B



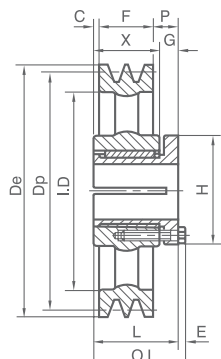
6C



7A



7B



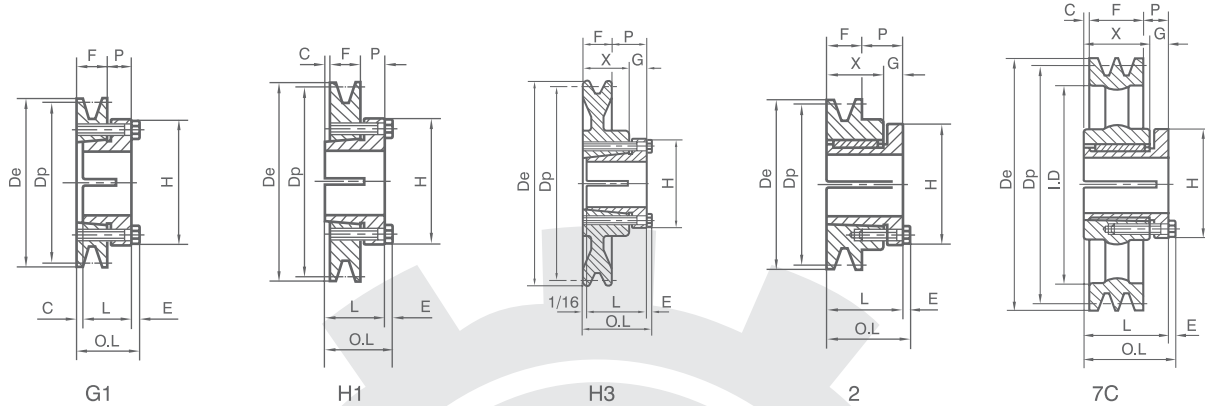
7C

Taper B_{ore} V-pulleys

3V-5V-8V

Cast Iron Sheaves

STL



3V-1

F = 11/16" (17.46mm)

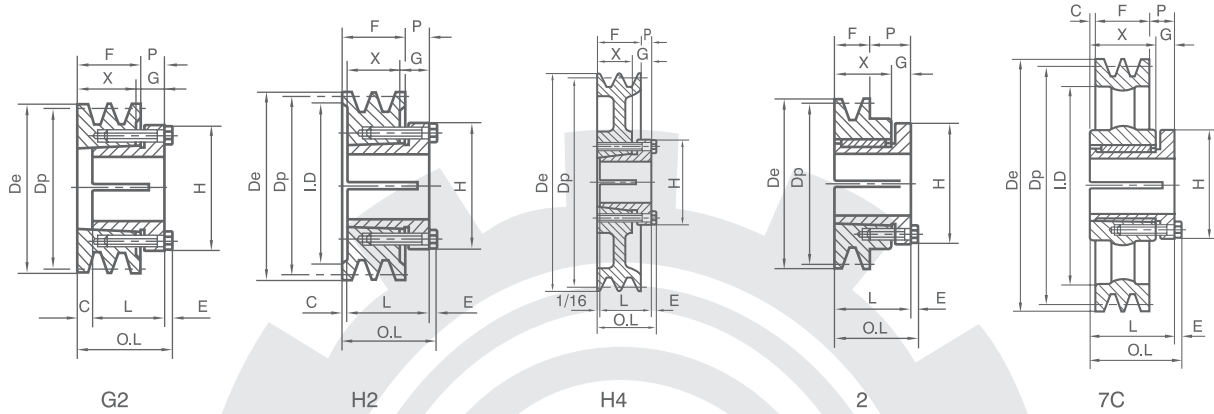
SHEAVE	DIAMETERS		Bushing	Type	Dimensions								wt Incl Bush	
	Dp	De			I.D	OL	L	P	C	H	G	X		E
1-G3V26	2.60	2.65	G	G1	—	15/16	1	7/16	1/8	2	—	—	3/16	0.6
1-G3V28	2.75	2.80	G	G1	—	15/16	1	7/16	1/8	2	—	—	3/16	0.7
1-G3V30	2.95	3.00	G	G1	—	15/16	1	7/16	1/8	2	—	—	3/16	0.9
1-H3V31	3.10	3.15	H	H1	—	17/16	1 1/4	7/16	1/8	2 1/2	—	—	3/16	1.0
1-H3V33	3.30	3.35	H	H1	—	17/16	1 1/4	7/16	1/8	2 1/2	—	—	3/16	1.1
1-H3V36	3.60	3.65	H	H3	—	1 1/2	1 1/4	5/8	—	2 1/2	7/16	7/8	3/16	1.4
1-P3V36	3.60	3.65	P1	2	—	23/16	1 15/16	1 1/4	—	3	5/8	15/16	1/4	2.0
1-H3V41	4.07	4.12	H	H3	—	1 1/2	1 1/4	5/8	—	2 1/2	7/16	7/8	3/16	2.2
1-P3V41	4.07	4.12	P1	2	—	23/16	1 15/16	1 1/4	—	3	5/8	15/16	1/4	2.6
1-H3V45	4.45	4.50	H	H3	—	1 1/2	1 1/4	5/8	—	2 1/2	7/16	7/8	3/16	2.2
1-P3V45	4.45	4.50	P1	2	—	23/16	1 15/16	1 1/4	—	3	5/8	15/16	1/4	3.0
1-H3V47	4.70	4.75	H	H3	—	1 1/2	1 1/4	5/8	—	2 1/2	7/16	7/8	3/16	2.4
1-P3V47	4.70	4.75	P1	2	—	23/16	1 15/16	1 1/4	—	3	5/8	15/16	1/4	3.5
1-H3V50	4.95	5.00	H	H3	—	1 1/2	1 1/4	5/8	—	2 1/2	7/16	7/8	3/16	2.6
1-P3V50	4.95	5.00	P1	2	—	23/16	1 15/16	1 1/4	—	3	5/8	15/16	1/4	3.8
1-H3V53	5.25	5.30	H	H3	—	1 1/2	1 1/4	5/8	—	2 1/2	7/16	7/8	3/16	2.5
1-P3V53	5.25	5.30	P1	2	—	23/16	1 15/16	1 1/4	—	3	5/8	15/16	1/4	4.2
1-H3V56	5.55	5.60	H	H3	—	1 1/2	1 1/4	5/8	—	2 1/2	7/16	7/8	3/16	2.6
1-P3V56	5.55	5.60	P1	2	—	23/16	1 15/16	1 1/4	—	3	5/8	15/16	1/4	4.6
1-H3V60	5.95	6.00	H	H3	—	1 1/2	1 1/4	5/8	—	2 1/2	7/16	7/8	3/16	2.9
1-P3V60	5.95	6.00	P1	2	—	23/16	1 15/16	1 1/4	—	3	5/8	15/16	1/4	5.3
1-P3V65	6.45	6.50	P1	7C	5 1/4	23/16	1 15/16	15/16	5/16	3	5/8	15/16	1/4	5.5
1-P3V69	6.85	6.90	P1	7C	5 5/8	23/16	1 15/16	15/16	5/16	3	5/8	15/16	1/4	4.9
1-P3V80	7.95	8.00	P1	7C	6 1/2	23/16	1 15/16	15/16	5/16	3	5/8	15/16	1/4	6.5
1-P3V106	10.55	10.60	P1	7C	9 3/8	23/16	1 15/16	15/16	5/16	3	5/8	15/16	1/4	7.8
1-Q3V140	13.95	14.00	Q1	7C	12 3/4	225/32	2 1/2	19/32	17/32	4 1/8	3/4	1 3/4	9/32	18.1
1-Q3V190	18.95	19.00	Q1	7C	17 3/4	225/32	2 1/2	19/32	17/32	4 1/8	3/4	1 3/4	9/32	26.3
1-Q3V250	24.95	25.00	Q1	7C	23 5/8	225/32	2 1/2	19/32	17/32	4 1/8	3/4	1 3/4	9/32	38.3

Taper Bore V-pulleys

3V-5V-8V

Cast Iron Sheaves

STL



3V-2

F = 1 3/32" (27.78mm)

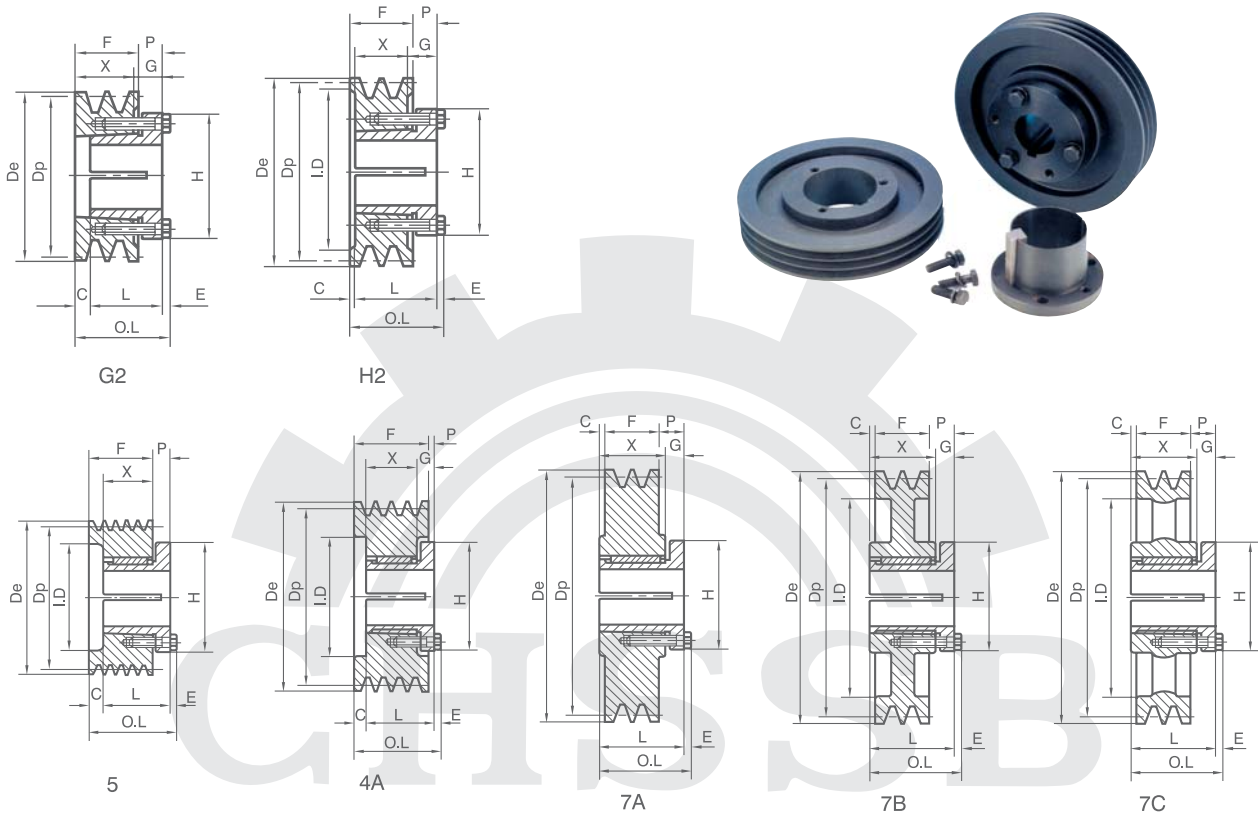
SHEAVE	DIAMETERS		Bushing	Type	Dimensions									wt Incl Bush
	Dp	De			I.D	OL	L	P	C	H	G	X	E	
2-G3V26	2.60	2.65	G	G2	—	119/32	1	5/16	13/32	2	7/16	31/32	3/16	0.8
2-G3V28	2.75	2.80	G	G2	—	119/32	1	5/16	13/32	2	7/16	31/32	3/16	0.9
2-G3V30	2.95	3.00	G	G2	—	119/32	1	5/16	13/32	2	7/16	31/32	3/16	1.3
2-H3V31	3.10	3.15	H	H2	2	119/32	1 1/4	3/8	7/32	2 1/2	7/16	13/16	3/16	0.9
2-H3V33	3.30	3.35	H	H2	2	119/32	1 1/4	3/8	7/32	2 1/2	7/16	13/16	3/16	1.3
2-H3V36	3.60	3.65	H	H4	—	1 1/2	1 1/4	7/32	—	2 1/2	7/16	7/8	3/16	1.6
2-P3V36	3.60	3.65	P1	2	—	23/16	1 15/16	27/32	—	3	5/8	15/16	1/4	2.0
2-H3V41	4.07	4.12	H	H4	—	1 1/2	1 1/4	7/32	—	2 1/2	7/16	7/8	3/16	2.3
2-P3V41	4.07	4.12	P1	2	—	23/16	1 15/16	27/32	—	3	5/8	15/16	1/4	2.8
2-H3V45	4.45	4.50	H	H4	—	1 1/2	1 1/4	7/32	—	2 1/2	7/16	7/8	3/16	2.8
2-P3V45	4.45	4.50	P1	2	—	23/16	1 15/16	27/32	—	3	5/8	15/16	1/4	3.5
2-H3V47	4.70	4.75	H	H4	—	1 1/2	1 1/4	7/32	—	2 1/2	7/16	7/8	3/16	3.1
2-P3V47	4.70	4.75	P1	2	—	23/16	1 15/16	27/32	—	3	5/8	15/16	1/4	4.0
2-H3V50	4.95	5.00	H	H4	—	1 1/2	1 1/4	7/32	—	2 1/2	7/16	7/8	3/16	3.4
2-P3V50	4.95	5.00	P1	2	—	23/16	1 15/16	27/32	—	3	5/8	15/16	1/4	4.6
2-H3V53	5.25	5.30	H	H4	—	1 1/2	1 1/4	7/32	—	2 1/2	7/16	7/8	3/16	3.7
2-P3V53	5.25	5.30	P1	2	—	23/16	1 15/16	27/32	—	3	5/8	15/16	1/4	5.6
2-H3V56	5.55	5.60	H	H4	—	1 1/2	1 1/4	7/32	—	2 1/2	7/16	7/8	3/16	3.1
2-P3V56	5.55	5.60	P1	2	—	23/16	1 15/16	27/32	—	3	5/8	15/16	1/4	6.0
2-H3V60	5.95	6.00	H	H4	—	1 1/2	1 1/4	7/32	—	2 1/2	7/16	7/8	3/16	3.6
2-P3V60	5.95	6.00	P1	2	—	23/16	1 15/16	27/32	—	3	5/8	15/16	1/4	6.8
2-Q3V65	6.45	6.50	Q1	7C	5 1/4	225/32	2 1/2	15/64	21/64	4 1/8	3/4	13/4	9/32	8.3
2-Q3V69	6.85	6.90	Q1	7C	5 5/8	225/32	2 1/2	15/64	21/64	4 1/8	3/4	13/4	9/32	9.8
2-Q3V80	7.95	8.00	Q1	7C	6 1/2	225/32	2 1/2	15/64	21/64	4 1/8	3/4	13/4	9/32	10.8
2-Q3V106	10.55	10.60	Q1	7C	9 3/8	225/32	2 1/2	15/64	21/64	4 1/8	3/4	13/4	9/32	13.5
2-Q3V140	13.95	14.00	Q1	7C	12 3/4	225/32	2 1/2	15/64	21/64	4 1/8	3/4	13/4	9/32	22.5
2-Q3V190	18.95	19.00	Q1	7C	17 3/4	225/32	2 1/2	15/64	21/64	4 1/8	3/4	13/4	9/32	28.9
2-Q3V250	24.95	25.00	Q1	7C	23 5/8	225/32	2 1/2	15/64	21/64	4 1/8	3/4	13/4	9/32	43.5

Taper B_{ore} V-pulleys

3V-5V-8V

Cast Iron Sheaves

STL



3V-3

F = 1 1/2" (38.10mm)

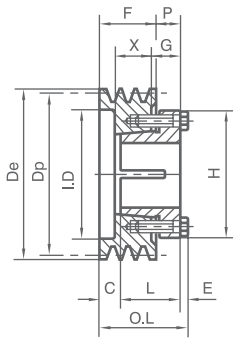
SHEAVE	DIAMETERS		Bushing	Type	Dimensions								wt Incl Bush	
	Dp	De			I.D	OL	L	P	C	H	G	X		E
3-G3V26	2.60	2.65	G	G2	—	2	1	5/16	13/16	2	7/16	13/8	3/16	1.1
3-G3V28	2.75	2.80	G	G2	—	2	1	5/16	13/16	2	7/16	13/8	3/16	1.6
3-G3V30	2.95	3.00	G	G2	—	2	1	5/16	13/16	2	7/16	13/8	3/16	1.8
3-H3V31	3.10	3.15	H	H2	—	2	1 1/4	5/16	9/16	2 1/2	7/16	13/8	3/16	1.4
3-H3V33	3.30	3.35	H	H2	—	2	1 1/4	5/16	9/16	2 1/2	7/16	13/8	3/16	1.8
3-P3V36	3.60	3.65	P1	5	23/16	23/8	1 15/16	5/8	3/16	3	—	15/16	1/4	2.5
3-P3V41	4.07	4.12	P1	5	29/16	23/8	1 15/16	5/8	3/16	3	—	15/16	1/4	3.0
3-P3V45	4.45	4.50	P1	4A	35/16	23/16	1 15/16	7/16	—	3	5/8	15/16	1/4	3.9
3-P3V47	4.70	4.75	P1	4A	3 1/2	23/16	1 15/16	7/16	—	3	5/8	15/16	1/4	4.4
3-P3V50	4.95	5.00	P1	4A	3 13/16	23/16	1 15/16	7/16	—	3	5/8	15/16	1/4	4.9
3-P3V53	5.25	5.30	P1	4A	4 1/8	23/16	1 15/16	7/16	—	3	5/8	15/16	1/4	5.9
3-P3V56	5.55	5.60	P1	4A	4 3/8	23/16	1 15/16	7/16	—	3	5/8	15/16	1/4	7.5
3-P3V60	5.95	6.00	P1	4A	4 13/16	23/16	1 15/16	7/16	—	3	5/8	15/16	1/4	8.0
3-Q3V65	6.45	6.50	Q1	7A	5 1/4	225/32	21/2	7/8	1/8	4 1/8	3/4	13/4	9/32	9.9
3-Q3V69	6.85	6.90	Q1	7A	5 5/8	225/32	21/2	7/8	1/8	4 1/8	3/4	13/4	9/32	11.3
3-Q3V80	7.95	8.00	Q1	7B	6 1/2	225/32	21/2	7/8	1/8	4 1/8	3/4	13/4	9/32	11.9
3-Q3V106	10.55	10.60	Q1	7C	9 3/8	225/32	21/2	7/8	1/8	4 1/8	3/4	13/4	9/32	15.1
3-Q3V140	13.95	14.00	Q1	7C	12 3/4	225/32	21/2	7/8	1/8	4 1/8	3/4	13/4	9/32	24.5
3-R3V190	18.95	19.00	R1	7C	17 3/4	35/32	27/8	1 1/8	1/4	5 3/8	7/8	2	9/32	35.1
3-R3V250	24.95	25.00	R1	7C	23 5/8	35/32	27/8	1 1/8	1/4	5 3/8	7/8	2	9/32	55.0
3-R3V335	33.45	33.50	R1	7C	32 1/4	35/32	27/8	1 1/8	1/4	5 3/8	7/8	2	9/32	80.0

Taper Bore V-pulleys

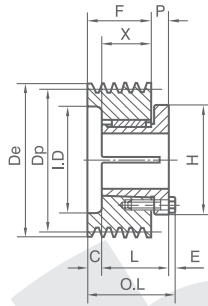
3V-5V-8V

Cast Iron Sheaves

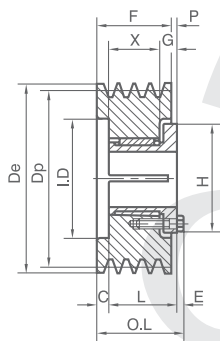
STL



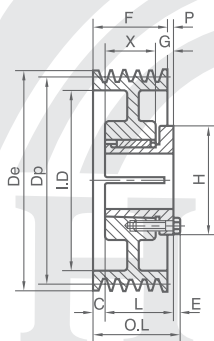
4



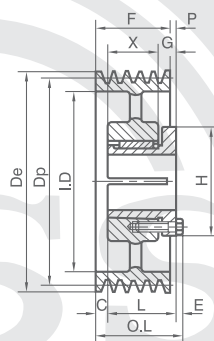
5



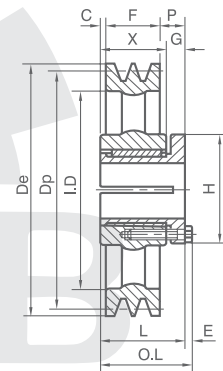
4A



4B



4C



7C

3V-4

F = 1 29/32" (48.42mm)

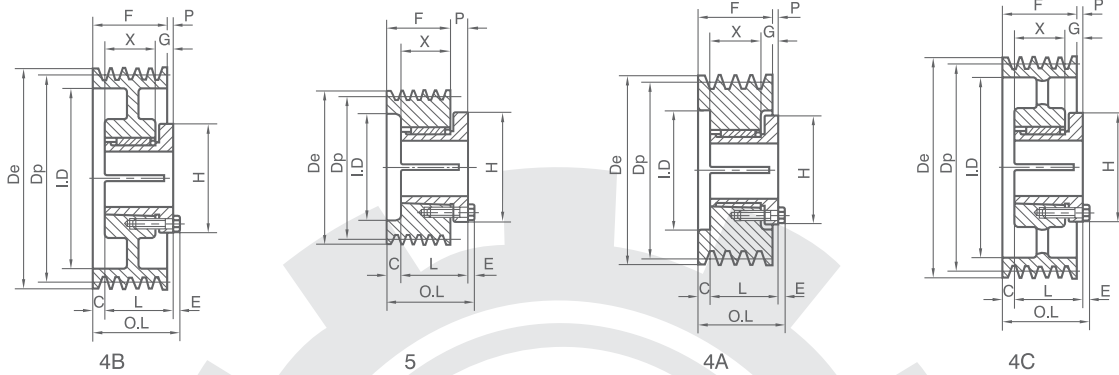
SHEAVE	DIAMETERS		Bushing	Type	Dimensions									wt Incl Bush
	Dp	De			I.D.	OL	L	P	C	H	G	X	E	
4-G3V26	2.60	2.65	G	4	13/8	213/32	1	5/16	17/32	2	7/16	1 1/2	3/16	1.4
4-G3V28	2.75	2.80	G	4	13/8	213/32	1	5/16	17/32	2	7/16	1 1/2	3/16	1.8
4-G3V30	2.95	3.00	G	4	13/8	213/32	1	5/16	17/32	2	7/16	1 1/2	3/16	2.1
4-H3V31	3.10	3.15	H	4	13/4	213/32	1 1/4	5/16	31/32	2 1/2	7/16	31/32	3/16	1.8
4-H3V33	3.30	3.35	H	4	2	213/32	1 1/4	5/16	31/32	2 1/2	7/16	31/32	3/16	2.3
4-P3V36	3.60	3.65	P1	5	23/16	225/32	1 15/16	5/8	19/32	3	—	15/16	1/4	2.8
4-P3V41	4.07	4.12	P1	5	29/16	225/32	1 15/16	5/8	19/32	3	—	15/16	1/4	3.7
4-P3V45	4.45	4.50	P1	4A	35/16	23/16	1 15/16	1/32	—	3	5/8	15/16	1/4	4.4
4-P3V47	4.70	4.75	P1	4A	31/2	23/16	1 15/16	1/32	—	3	5/8	15/16	1/4	5.1
4-P3V50	4.95	5.00	P1	4A	3 13/16	23/16	1 15/16	1/32	—	3	5/8	15/16	1/4	5.8
4-P3V53	5.25	5.30	P1	4A	4 1/8	23/16	1 15/16	1/32	—	3	5/8	15/16	1/4	6.5
4-P3V56	5.55	5.60	P1	4A	4 3/8	23/16	1 15/16	1/32	—	3	5/8	15/16	1/4	8.1
4-Q3V60	5.95	6.00	Q1	4A	4 3/4	225/32	2 1/2	19/32	—	4 1/8	3/4	13/4	9/32	9.0
4-Q3V65	6.45	6.50	Q1	4B	5 1/4	255/64	2 1/2	43/64	5/64	4 1/8	3/4	13/4	9/32	11.1
4-Q3V69	6.85	6.90	Q1	4B	5 5/8	255/64	2 1/2	43/64	5/64	4 1/8	3/4	13/4	9/32	12.9
4-Q3V80	7.95	8.00	Q1	4B	6 1/2	255/64	2 1/2	43/64	5/64	4 1/8	3/4	13/4	9/32	13.1
4-Q3V106	10.55	10.60	Q1	4C	9 3/8	255/64	2 1/2	43/64	5/64	4 1/8	3/4	13/4	9/32	15.9
4-Q3V140	13.95	14.00	Q1	4C	12 3/4	255/64	2 1/2	43/64	5/64	4 1/8	3/4	13/4	9/32	25.4
4-R3V190	18.95	19.00	R1	7C	17 3/4	35/32	2 7/8	63/64	3/64	5 3/8	7/8	2	9/32	37.3
4-R3V250	24.95	25.00	R1	7C	23 5/8	35/32	2 7/8	63/64	3/64	5 3/8	7/8	2	9/32	60.0
4-R3V335	33.45	33.50	R1	7C	32 1/4	35/32	2 7/8	63/64	3/64	5 3/8	7/8	2	9/32	88.0

**T_{aper}
B_{ore} V-pulleys**

3V-5V-8V

Cast Iron Sheaves

STL



3V-5

F=2 5/16" (58.74mm)

SHEAVE	DIAMETERS		Bushing	Type	Dimensions									wt Incl Bush
	Dp	De			I.D	OL	L	P	C	H	G	X	E	
5-P3V47	4.70	4.75	P1	4B	3/2	29/16	115/16	—	3/8	3	5/8	15/16	1/4	5.6
5-P3V50	4.95	5.00	P1	4B	313/16	29/16	115/16	—	3/8	3	5/8	15/16	1/4	6.0
5-P3V53	5.25	5.30	P1	4B	41/8	29/16	115/16	—	3/8	3	5/8	15/16	1/4	7.1
5-P3V56	5.55	5.60	P1	4B	43/8	29/16	115/16	—	3/8	3	5/8	15/16	1/4	8.1
5-Q3V60	5.95	6.00	Q1	4B	43/4	225/32	21/2	3/16	—	41/8	3/4	13/4	9/32	9.5
5-Q3V65	6.45	6.50	Q1	4B	51/4	31/16	21/2	15/32	9/32	41/8	3/4	13/4	9/32	11.6
5-Q3V69	6.85	6.90	Q1	4B	55/8	31/16	21/2	15/32	9/32	41/8	3/4	13/4	9/32	13.9
5-Q3V80	7.95	8.00	Q1	4B	61/2	31/16	21/2	15/32	9/32	41/8	3/4	13/4	9/32	14.3
5-Q3V106	10.55	10.60	Q1	4C	93/8	31/16	21/2	15/32	9/32	41/8	3/4	13/4	9/32	17.5
5-Q3V140	13.95	14.00	Q1	4C	123/4	31/16	21/2	15/32	9/32	41/8	3/4	13/4	9/32	27.5
5-R3V190	18.95	19.00	R1	4C	173/4	35/16	27/8	23/32	5/32	53/8	7/8	2	9/32	40.9
5-R3V250	24.95	25.00	R1	4C	235/8	35/16	27/8	23/32	5/32	53/8	7/8	2	9/32	64.0
5-R3V335	33.45	33.50	R1	4C	321/4	35/16	27/8	23/32	5/32	53/8	7/8	2	9/32	92.0

3V-6

F=2 23/32" (69.06mm)

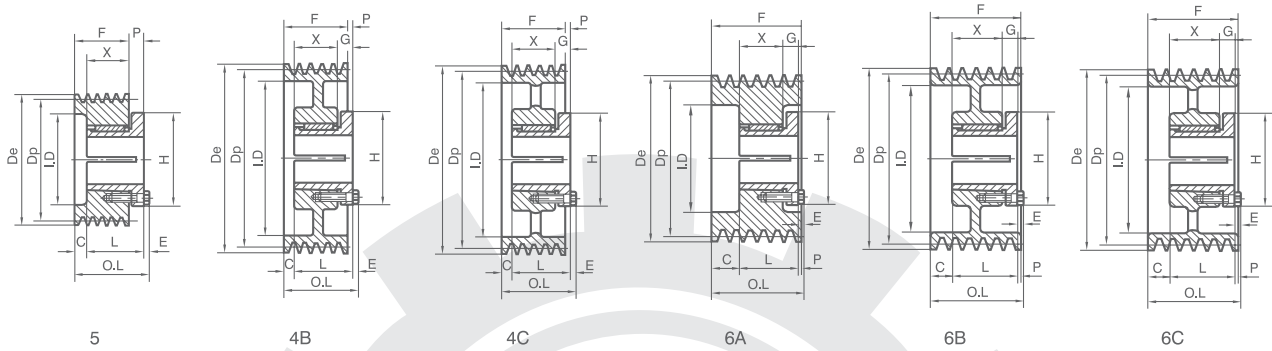
SHEAVE	DIAMETERS		Bushing	Type	Dimensions									wt Incl Bush
	Dp	De			I.D	OL	L	P	C	H	G	X	E	
6-Q3V47	4.70	4.75	Q1	5	3/2	33/4	21/2	3/4	31/32	41/8	3/4	13/4	9/32	5.6
6-Q3V50	4.95	5.00	Q1	5	313/16	33/4	21/2	3/4	31/32	41/8	3/4	13/4	9/32	6.1
6-Q3V53	5.25	5.30	Q1	5	41/8	33/4	21/2	3/4	31/32	41/8	3/4	13/4	9/32	7.3
6-Q3V56	5.55	5.60	Q1	4A	41/4	3	21/2	—	7/32	41/8	3/4	13/4	9/32	8.8
6-Q3V60	5.95	6.00	Q1	4B	43/4	3	21/2	—	7/32	41/8	3/4	13/4	9/32	10.1
6-Q3V65	6.45	6.50	Q1	4B	51/4	317/64	21/2	17/64	31/64	41/8	3/4	13/4	9/32	12.9
6-Q3V69	6.85	6.90	Q1	4B	55/8	317/64	21/2	17/64	31/64	41/8	3/4	13/4	9/32	14.4
6-Q3V80	7.95	8.00	Q1	4B	61/2	317/64	21/2	17/64	31/64	41/8	3/4	13/4	9/32	16.1
6-R3V106	10.55	10.60	R1	4C	93/8	333/64	27/8	33/64	23/64	53/8	7/8	2	9/32	22.4
6-R3V140	13.95	14.00	R1	4C	123/4	333/64	27/8	33/64	23/64	53/8	7/8	2	9/32	32.1
6-R3V190	18.95	19.00	R1	4C	173/4	333/64	27/8	33/64	23/64	53/8	7/8	2	9/32	42.8
6-R3V250	24.95	25.00	R1	4C	235/8	333/64	27/8	33/64	23/64	53/8	7/8	2	9/32	64.0
6-R3V335	33.45	33.50	R1	4C	321/4	333/64	27/8	33/64	23/64	53/8	7/8	2	9/32	99.0

**T_{aper}
B_{ore} V-pulleys**

3V-5V-8V

Cast Iron Sheaves

STL



3V-8

F=3 17/32" (89.70mm)

SHEAVE	DIAMETERS		Bushing	Type	Dimensions									wt Incl Bush
	Dp	De			I.D	OL	L	P	C	H	G	X	E	
8-Q3V47	4.70	4.75	Q2	5	31/2	49/16	31/2	3/4	25/32	41/8	3/4	23/4	9/32	7.3
8-Q3V50	4.95	5.00	Q2	5	313/16	49/16	31/2	3/4	25/32	41/8	3/4	23/4	9/32	8.6
8-Q3V53	5.25	5.30	Q2	5	41/8	49/16	31/2	3/4	25/32	41/8	3/4	23/4	9/32	10.3
8-Q3V56	5.55	5.60	Q2	6A	41/4	325/64	31/2	1/32	—	41/8	3/4	23/4	9/32	12.3
8-Q3V60	5.95	6.00	Q2	6A	43/4	325/32	31/2	1/32	—	41/8	3/4	23/4	9/32	15.1
8-Q3V65	6.45	6.50	Q2	4B	51/4	411/64	31/2	23/64	25/64	41/8	3/4	23/4	9/32	18.3
8-Q3V69	6.85	6.90	Q2	4B	55/8	411/64	31/2	23/64	25/64	41/8	3/4	23/4	9/32	21.4
8-R3V80	7.95	8.00	R1	4B	61/2	359/64	27/8	7/64	49/64	53/8	7/8	2	9/32	23.2
8-R3V106	10.55	10.60	R1	4C	93/8	359/64	27/8	7/64	49/64	53/8	7/8	2	9/32	24.5
8-R3V140	13.95	14.00	R1	4C	123/4	359/64	27/8	7/64	49/64	53/8	7/8	2	9/32	39.0
8-R3V190	18.95	19.00	R1	4C	173/4	359/64	27/8	7/64	49/64	53/8	7/8	2	9/32	49.0
8-R3V250	24.95	25.00	R1	4C	235/8	359/64	27/8	7/64	49/64	53/8	7/8	2	9/32	76.0
8-S3V335	33.45	33.50	S1	4C	321/4	455/64	43/8	61/64	7/64	63/8	11/16	35/16	3/8	126

3V-10

F=4 11/32" (110.33mm)

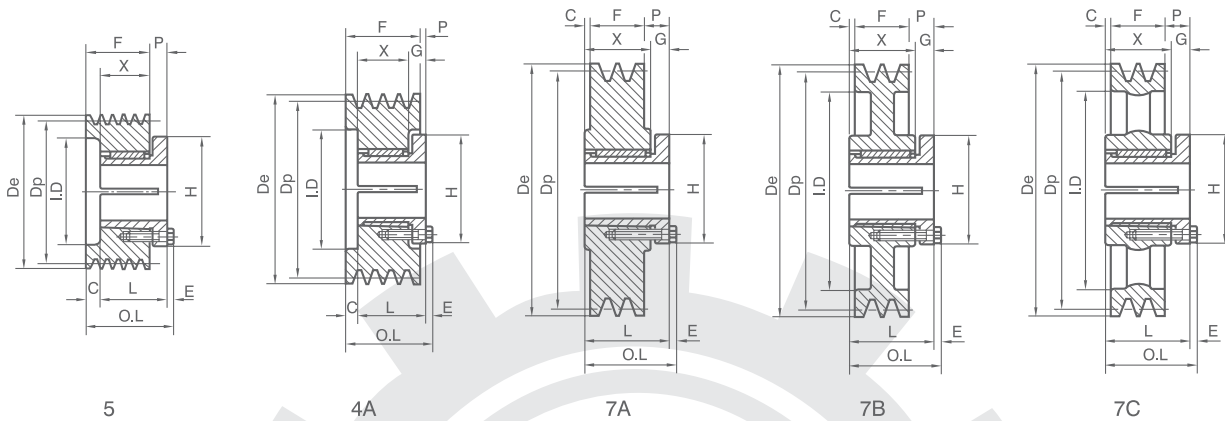
SHEAVE	DIAMETERS		Bushing	Type	Dimensions									wt Incl Bush
	Dp	De			I.D	OL	L	P	C	H	G	X	E	
10-Q3V47	4.70	4.75	Q2	5	31/2	53/8	31/2	3/4	119/32	41/8	3/4	23/4	9/32	8.4
10-Q3V50	4.95	5.00	Q2	5	313/16	53/8	31/2	3/4	119/32	41/8	3/4	23/4	9/32	9.9
10-Q3V53	5.25	5.30	Q2	5	41/8	53/8	31/2	3/4	119/32	41/8	3/4	23/4	9/32	11.4
10-Q3V56	5.55	5.60	Q2	4B	41/4	45/8	31/2	—	27/32	41/8	3/4	23/4	9/32	13.8
10-Q3V60	5.95	6.00	Q2	4B	43/4	45/8	31/2	—	27/32	41/8	3/4	23/4	9/32	16.5
10-Q3V65	6.45	6.50	Q2	6B	51/4	437/64	31/2	3/64	51/64	41/8	3/4	23/4	9/32	20.4
10-Q3V69	6.85	6.90	Q2	6B	55/8	437/64	31/2	3/64	51/64	41/8	3/4	23/4	9/32	23.4
10-R3V80	7.95	8.00	R1	6B	61/2	411/32	27/8	19/64	111/64	53/8	7/8	2	9/32	26.0
10-R3V106	10.55	10.60	R1	6C	93/8	411/32	27/8	19/64	111/64	53/8	7/8	2	9/32	28.4
10-R3V140	13.95	14.00	R1	6C	123/4	411/32	27/8	19/64	111/64	53/8	7/8	2	9/32	42.3
10-R3V190	18.95	19.00	R1	6C	173/4	411/32	27/8	19/64	111/64	53/8	7/8	2	9/32	54.0
10-S3V250	24.95	25.00	S1	4C	235/8	517/64	43/8	35/64	33/64	63/8	11/16	35/16	3/8	103
10-S3V335	33.45	33.50	S1	4C	321/4	517/64	43/8	35/64	33/64	63/8	11/16	35/16	3/8	138

**T_{aper}
B_{ore} V-pulleys**

3V-5V-8V

Cast Iron Sheaves

STL



5V-2

F = 1 11/16" (42.86mm)

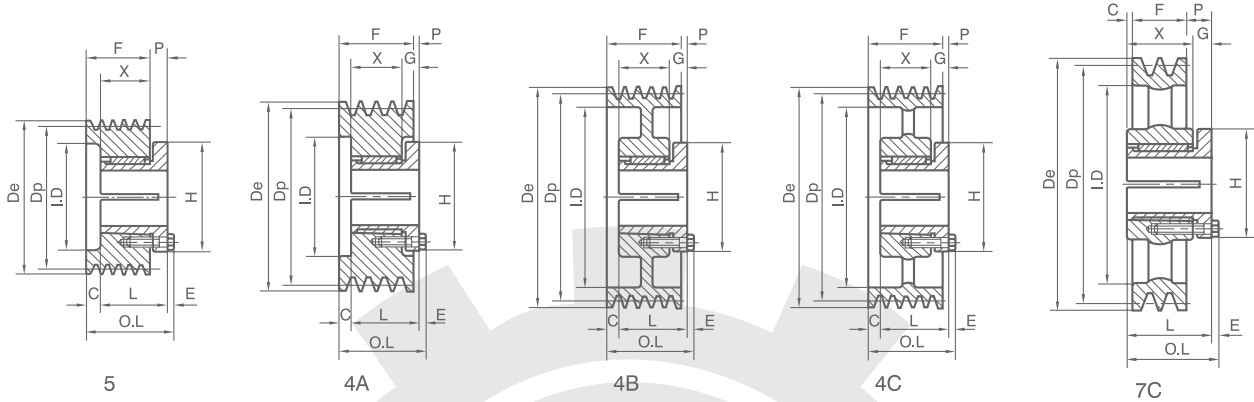
SHEAVE	DIAMETERS		Bushing	Type	Dimensions								wt Incl Bush	
	Dp	De			I.D	OL	L	P	C	H	G	X		E
2-P5V44	4.30	4.40	P1	4A	33/16	23/16	1 15/16	1/4	—	3	5/8	15/16	1/4	3.8
2-Q5V46	4.50	4.60	Q1	5	27/8	37/8	2 1/2	3/4	13/32	4 1/8	—	13/4	9/32	6.6
2-Q5V49	4.80	4.90	Q1	5	31/8	35/16	2 1/2	3/4	17/32	4 1/8	—	13/4	9/32	6.2
2-Q5V52	5.10	5.20	Q1	7A	—	225/32	2 1/2	3/4	1/16	4 1/8	3/4	13/4	9/32	5.6
2-Q5V55	5.40	5.50	Q1	7A	—	225/32	2 1/2	3/4	1/16	4 1/8	3/4	13/4	9/32	6.6
2-Q5V59	5.80	5.90	Q1	7A	—	225/32	2 1/2	3/4	1/16	4 1/8	3/4	13/4	9/32	7.6
2-Q5V63	6.20	6.30	Q1	7A	—	225/32	2 1/2	3/4	1/16	4 1/8	3/4	13/4	9/32	9.4
2-Q5V67	6.60	6.70	Q1	7A	—	225/32	2 1/2	3/4	1/16	4 1/8	3/4	13/4	9/32	11.0
2-Q5V71	7.00	7.10	Q1	7A	—	225/32	2 1/2	25/32	1/32	4 1/8	3/4	13/4	9/32	12.3
2-Q5V75	7.40	7.50	Q1	7A	—	225/32	2 1/2	25/32	1/32	4 1/8	3/4	13/4	9/32	14.1
2-Q5V80	7.90	8.00	Q1	7B	6 1/4	225/32	2 1/2	25/32	1/32	4 1/8	3/4	13/4	9/32	11.6
2-Q5V85	8.40	8.50	Q1	7B	6 3/4	225/32	2 1/2	25/32	1/32	4 1/8	3/4	13/4	9/32	12.9
2-Q5V90	8.90	9.00	Q1	7B	7 1/4	225/32	2 1/2	25/32	1/32	4 1/8	3/4	13/4	9/32	16.3
2-Q5V92	9.15	9.25	Q1	7C	7 3/8	225/32	2 1/2	25/32	1/32	4 1/8	3/4	13/4	9/32	15.1
2-Q5V97	9.65	9.75	Q1	7C	7 7/8	225/32	2 1/2	25/32	1/32	4 1/8	3/4	13/4	9/32	16.1
2-Q5V103	10.20	10.30	Q1	7C	8 7/16	225/32	2 1/2	25/32	1/32	4 1/8	3/4	13/4	9/32	18.8
2-Q5V109	10.80	10.90	Q1	7C	9	225/32	2 1/2	25/32	1/32	4 1/8	3/4	13/4	9/32	19.3
2-Q5V118	11.70	11.80	Q1	7C	10	225/32	2 1/2	25/32	1/32	4 1/8	3/4	13/4	9/32	21.4
2-Q5V125	12.40	12.50	Q1	7C	10 3/4	225/32	2 1/2	25/32	1/32	4 1/8	3/4	13/4	9/32	23.8
2-Q5V132	13.10	13.20	Q1	7C	11 7/16	225/32	2 1/2	25/32	1/32	4 1/8	3/4	13/4	9/32	25.5
2-R5V140	13.90	14.00	R1	7C	12 1/4	35/32	27/8	1 1/32	5/32	53/8	7/8	2	9/32	27.6
2-R5V150	14.90	15.00	R1	7C	13 1/4	35/32	27/8	1 1/32	5/32	53/8	7/8	2	9/32	30.9
2-R5V160	15.90	16.00	R1	7C	14 1/4	35/32	27/8	1 1/32	5/32	53/8	7/8	2	9/32	33.3
2-R5V212	21.10	21.20	R1	7C	19 3/8	35/32	27/8	1 1/32	5/32	53/8	7/8	2	9/32	47.5
2-R5V280	27.90	28.00	R1	7C	26 1/4	35/32	27/8	1 1/32	5/32	53/8	7/8	2	9/32	71.0

Taper Bore V-pulleys

3V-5V-8V

Cast Iron Sheaves

STL



5V-3

F=2 3/8" (60.33mm)

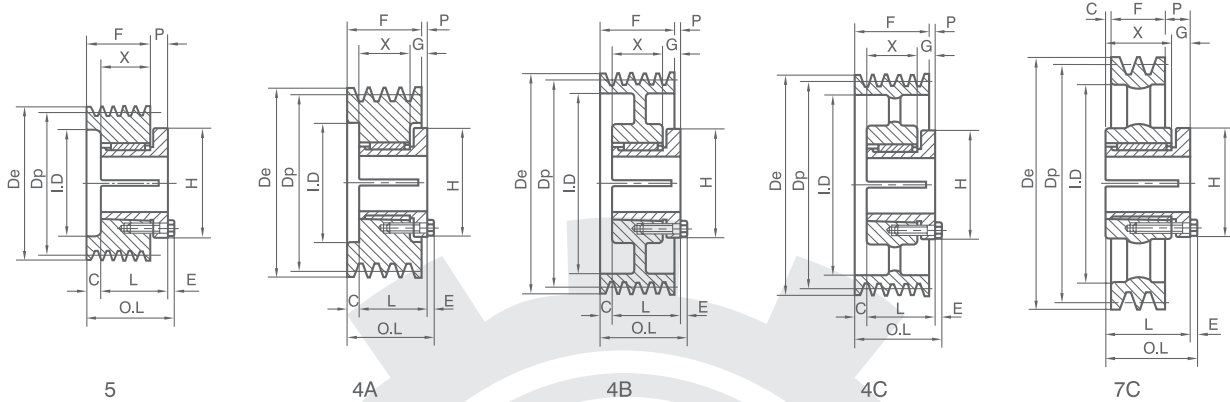
SHEAVE	DIAMETERS		Bushing	Type	Dimensions									wt Incl Bush
	Dp	De			I.D	OL	L	P	C	H	G	X	E	
3-P5V44	4.30	4.40	P1	4A	33/16	223/32	115/16	3/32	17/32	3	5/8	15/16	1/4	5.1
3-Q5V46	4.50	4.60	Q1	5	27/8	43/4	2 1/2	3/4	125/32	4 1/8	—	13/4	9/32	7.6
3-Q5V49	4.80	4.90	Q1	5	31/8	313/32	2 1/2	3/4	5/8	4 1/8	—	13/4	9/32	7.3
3-Q5V52	5.10	5.20	Q1	5	31/2	313/32	2 1/2	3/4	5/8	4 1/8	—	13/4	9/32	5.8
3-Q5V55	5.40	5.50	Q1	5	33/4	313/32	2 1/2	3/4	5/8	4 1/8	—	13/4	9/32	7.5
3-Q5V59	5.80	5.90	Q1	4A	43/16	231/32	2 1/2	5/16	3/16	4 1/8	3/4	13/4	9/32	8.6
3-Q5V63	6.20	6.30	Q1	4A	49/16	231/32	2 1/2	5/16	3/16	4 1/8	3/4	13/4	9/32	10.3
3-Q5V67	6.60	6.70	Q1	4A	5	231/32	2 1/2	5/16	3/16	4 1/8	3/4	13/4	9/32	12.0
3-Q5V71	7.00	7.10	Q1	4B	53/8	231/32	2 1/2	5/16	3/16	4 1/8	3/4	13/4	9/32	13.9
3-Q5V75	7.40	7.50	Q1	4B	53/4	231/32	2 1/2	5/16	3/16	4 1/8	3/4	13/4	9/32	16.0
3-R5V80	7.90	8.00	R1	4B	61/4	311/32	27/8	11/16	3/16	53/8	7/8	2	9/32	17.2
3-R5V85	8.40	8.50	R1	4B	63/4	311/32	27/8	11/16	3/16	53/8	7/8	2	9/32	20.5
3-R5V90	8.90	9.00	R1	4B	71/4	311/32	27/8	11/16	3/16	53/8	7/8	2	9/32	22.2
3-R5V92	9.15	9.25	R1	4B	73/8	311/32	27/8	11/16	3/16	53/8	7/8	2	9/32	24.1
3-R5V97	9.65	9.75	R1	4B	77/8	311/32	27/8	11/16	3/16	53/8	7/8	2	9/32	24.8
3-R5V103	10.20	10.30	R1	4B	87/16	311/32	27/8	11/16	3/16	53/8	7/8	2	9/32	26.4
3-R5V109	10.80	10.90	R1	4B	9	311/32	27/8	11/16	3/16	53/8	7/8	2	9/32	28.0
3-R5V118	11.70	11.80	R1	4B	10	311/32	27/8	11/16	3/16	53/8	7/8	2	9/32	31.9
3-R5V125	12.40	12.50	R1	4C	103/4	311/32	27/8	11/16	3/16	53/8	7/8	2	9/32	35.1
3-R5V132	13.10	13.20	R1	4C	117/16	311/32	27/8	11/16	3/16	53/8	7/8	2	9/32	39.0
3-R5V140	13.90	14.00	R1	4C	121/4	311/32	27/8	11/16	3/16	53/8	7/8	2	9/32	42.3
3-R5V150	14.90	15.00	R1	4C	131/4	311/32	27/8	11/16	3/16	53/8	7/8	2	9/32	45.3
3-R5V160	15.90	16.00	R1	4C	141/4	311/32	27/8	11/16	3/16	53/8	7/8	2	9/32	48.7
3-R5V212	21.10	21.20	R1	4C	193/8	311/32	27/8	11/16	3/16	53/8	7/8	2	9/32	52.0
3-R5V280	27.90	28.00	R1	4C	261/4	311/32	27/8	11/16	3/16	53/8	7/8	2	9/32	147.0
3-S5V375	37.40	37.50	S1	7C	353/4	43/4	43/8	1 17/32	15/32	63/8	1 1/16	35/16	3/8	147.0
3-U5V500	49.90	50.00	U0	7C	481/4	513/32	4 15/16	17/8	11/16	83/8	13/16	33/4	15/32	216.0

**T_{aper}
B_{ore} V-pulleys**

3V-5V-8V

Cast Iron Sheaves

STL



5V-4

F = 3 1/16" (77.79mm)

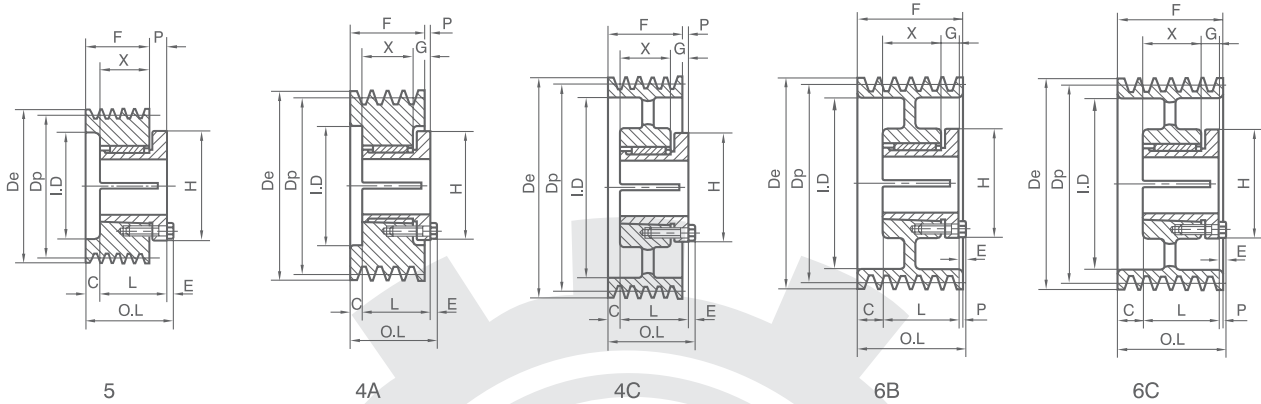
SHEAVE	DIAMETERS		Bushing	Type	Dimensions								wt Incl Bush	
	Dp	De			I.D	OL	L	P	C	H	G	X		E
4-P5V44	4.30	4.40	P1	4A	3	33/16	1 15/32	1/8	7/8	3	5/8	15/16	1/4	7.2
4-Q5V46	4.50	4.60	Q2	5	27/8	5 1/4	3 1/2	3/4	1 15/32	4 1/8	—	2 3/4	9/32	8.6
4-Q5V49	4.80	4.90	Q1	5	3 1/8	4 3/32	2 1/2	3/4	15/16	4 1/8	—	1 3/4	9/32	8.5
4-Q5V52	5.10	5.20	Q1	5	3 1/2	4 3/32	2 1/2	3/4	15/16	4 1/8	—	1 3/4	9/32	9.8
4-Q5V55	5.40	5.50	Q1	5	3 3/4	4 3/32	2 1/2	3/4	15/16	4 1/8	3/4	1 3/4	9/32	10.3
4-Q5V59	5.80	5.90	Q1	4A	4 3/16	4 3/32	2 1/2	—	9/16	4 1/8	3/4	1 3/4	9/32	11.1
4-Q5V63	6.20	6.30	Q1	4A	4 9/16	4 3/32	2 1/2	—	9/16	4 1/8	3/4	1 3/4	9/32	11.8
4-Q5V67	6.60	6.70	Q1	4A	5	4 3/32	2 1/2	—	9/16	4 1/8	3/4	1 3/4	9/32	13.6
4-Q5V71	7.00	7.10	Q1	4B	5 3/8	3 11/32	2 1/2	—	9/16	4 1/8	3/4	1 3/4	9/32	15.9
4-Q5V75	7.40	7.50	Q1	4B	5 3/4	3 11/32	2 1/2	—	9/16	4 1/8	3/4	1 3/4	9/32	18.4
4-R5V80	7.90	8.00	R1	4B	6 1/4	3 11/16	2 7/8	1 1/32	17/32	5 3/8	7/8	2	9/32	19.4
4-R5V85	8.40	8.50	R1	4B	6 3/4	3 11/16	2 7/8	1 1/32	17/32	5 3/8	7/8	2	9/32	22.8
4-R5V90	8.90	9.00	R1	4B	7 1/4	3 11/16	2 7/8	1 1/32	17/32	5 3/8	7/8	2	9/32	24.5
4-R5V92	9.15	9.25	R1	4B	7 3/8	3 11/16	2 7/8	1 1/32	17/32	5 3/8	7/8	2	9/32	26.6
4-R5V97	9.65	9.75	R1	4B	7 7/8	3 11/16	2 7/8	1 1/32	17/32	5 3/8	7/8	2	9/32	28.0
4-R5V103	10.20	10.30	R1	4B	8 7/16	3 11/16	2 7/8	1 1/32	17/32	5 3/8	7/8	2	9/32	30.8
4-R5V109	10.80	10.90	R1	4B	9	3 11/16	2 7/8	1 1/32	17/32	5 3/8	7/8	2	9/32	31.7
4-R5V118	11.70	11.80	R1	4B	10	3 11/16	2 7/8	1 1/32	17/32	5 3/8	7/8	2	9/32	35.3
4-R5V125	12.40	12.50	R1	4B	10 3/4	3 11/16	2 7/8	1 1/32	17/32	5 3/8	7/8	2	9/32	37.9
4-R5V132	13.10	13.20	R1	4C	11 7/16	3 11/16	2 7/8	1 1/32	17/32	5 3/8	7/8	2	9/32	33.3
4-R5V140	13.90	14.00	R1	4C	12 1/4	3 11/16	2 7/8	1 1/32	17/32	5 3/8	7/8	2	9/32	36.5
4-R5V150	14.90	15.00	R1	4C	13 1/4	3 11/16	2 7/8	1 1/32	17/32	5 3/8	7/8	2	9/32	40.9
4-R5V160	15.90	16.00	R1	4C	14 1/4	3 11/16	2 7/8	1 1/32	17/32	5 3/8	7/8	2	9/32	43.3
4-R5V212	21.10	21.20	R1	4C	19 3/8	3 11/16	2 7/8	1 1/32	17/32	5 3/8	7/8	2	9/32	59.0
4-S 5V280	27.90	28.00	S1	7C	26 1/4	4 3/4	4 3/8	1 3/16	1/8	6 3/8	1 1/16	3 5/16	3/8	135
4-S5V375	37.40	37.50	S1	7C	35 3/4	4 3/4	4 3/8	1 3/16	1/8	6 3/8	1 1/16	3 5/16	3/8	157
4-U5V500	49.90	50.00	U0	7C	48 1/4	5 13/32	4 15/16	1 17/32	1 1/32	8 3/8	1 3/16	3 3/4	15/32	239

Taper Bore V-pulleys

3V-5V-8V

Cast Iron Sheaves

STL



5V-5

F=3 3/4" (95.25mm)

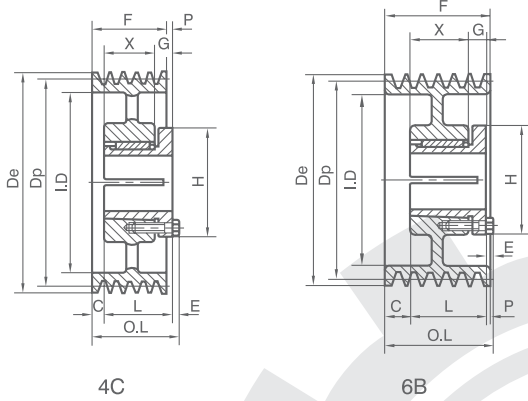
SHEAVE	DIAMETERS		Bushing	Type	Dimensions									wt Incl Bush
	Dp	De			I.D.	OL	L	P	C	H	G	X	E	
5-Q5V46	4.50	4.60	Q2	5	27/8	515/16	31/2	3/4	25/16	41/8	—	23/4	9/32	8.9
5-Q5V49	4.80	4.90	Q2	5	31/8	53/8	31/2	3/4	1	41/8	—	23/4	9/32	9.2
5-Q5V52	5.10	5.20	Q2	5	31/2	425/32	31/2	3/4	1	41/8	3/4	23/4	9/32	9.0
5-Q5V55	5.40	5.50	Q2	5	33/4	425/32	31/2	3/4	1	41/8	3/4	23/4	9/32	10.8
5-Q5V59	5.80	5.90	Q2	4A	43/16	43/32	31/2	—	1/4	41/8	3/4	23/4	9/32	13.2
5-Q5V63	6.20	6.30	Q2	4A	49/16	43/32	31/2	—	1/4	41/8	3/4	23/4	9/32	15.9
5-Q5V67	6.60	6.70	Q2	4A	5	43/32	31/2	—	1/4	41/8	3/4	23/4	9/32	18.6
5-Q5V71	7.00	7.10	Q2	4B	53/8	41/32	31/2	—	1/4	41/8	3/4	23/4	9/32	22.0
5-Q5V75	7.40	7.50	Q2	4B	53/4	41/32	31/2	—	1/4	41/8	3/4	23/4	9/32	25.0
5-R5V80	7.90	8.00	R1	6B	61/4	41/32	27/8	—	7/8	53/8	7/8	2	9/32	21.7
5-R5V85	8.40	8.50	R1	6B	63/4	41/32	27/8	—	7/8	53/8	7/8	2	9/32	25.1
5-R5V90	8.90	9.00	R1	6B	71/4	41/32	27/8	—	7/8	53/8	7/8	2	9/32	25.4
5-R5V92	9.15	9.25	R1	6B	73/8	41/32	27/8	—	7/8	53/8	7/8	2	9/32	28.4
5-R5V97	9.65	9.75	R1	6B	77/8	41/32	27/8	—	7/8	53/8	7/8	2	9/32	31.8
5-R5V103	10.20	10.30	R1	6B	87/16	41/32	27/8	—	7/8	53/8	7/8	2	9/32	32.5
5-R5V109	10.80	10.90	R1	6B	9	41/32	27/8	—	7/8	53/8	7/8	2	9/32	35.1
5-R5V118	11.70	11.80	R1	6B	10	41/32	27/8	—	7/8	53/8	7/8	2	9/32	38.8
5-R5V125	12.40	12.50	R1	6B	103/4	41/32	27/8	—	7/8	53/8	7/8	2	9/32	41.8
5-R5V132	13.10	13.20	R1	6C	117/16	41/32	27/8	—	7/8	53/8	7/8	2	9/32	37.1
5-R5V140	13.90	14.00	R1	6C	121/4	41/32	27/8	—	7/8	53/8	7/8	2	9/32	41.6
5-R5V150	14.90	15.00	R1	6C	131/4	41/32	27/8	—	7/8	53/8	7/8	2	9/32	45.0
5-R5V160	15.90	16.00	R1	6C	141/4	41/32	27/8	—	7/8	53/8	7/8	2	9/32	48.0
5-S5V212	21.10	21.20	S1	4C	193/8	431/32	43/8	27/32	7/32	63/8	11/16	35/16	3/8	90.0
5-S5V250	24.90	25.00	S1	4C	231/4	431/32	43/8	27/32	7/32	63/8	11/16	35/16	3/8	105
5-S5V280	27.90	28.00	S1	4C	261/4	431/32	43/8	27/32	7/32	63/8	11/16	35/16	3/8	120
5-U5V375	37.40	37.50	U0	4C	353/4	513/32	415/16	13/16	—	83/8	13/16	33/4	15/32	185
5-U5V500	49.90	50.00	U0	4C	481/4	513/32	415/16	13/16	—	83/8	13/16	33/4	15/32	244

**T_{aper}
B_{ore} V-pulleys**

3V-5V-8V

Cast Iron Sheaves

STL



5V-6

F=4 7/16"(112.71mm)

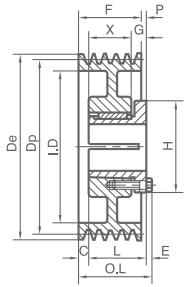
SHEAVE	DIAMETERS		Bushing	Type	Dimensions									wt Incl Bush
	Dp	De			I.D	OL	L	P	C	H	G	X	E	
6-Q5V71	7.00	7.10	Q2	6B	53/8	47/16	31/2	1/2	7/16	41/8	3/4	23/4	9/32	23.6
6-Q5V75	7.40	7.50	Q2	6B	53/4	47/16	31/2	1/2	7/16	41/8	3/4	23/4	9/32	27.3
6-R5V80	7.90	8.00	R1	6B	61/4	47/16	27/8	11/32	17/32	53/8	7/8	2	9/32	23.3
6-R5V85	8.40	8.50	R1	6B	63/4	47/16	27/8	11/32	17/32	53/8	7/8	2	9/32	27.3
6-R5V90	8.90	9.00	R1	6B	71/4	47/16	27/8	11/32	17/32	53/8	7/8	2	9/32	28.8
6-R5V92	9.15	9.25	R1	6B	73/8	47/16	27/8	11/32	17/32	53/8	7/8	2	9/32	31.1
6-R5V97	9.65	9.75	R1	6B	77/8	47/16	27/8	11/32	17/32	53/8	7/8	2	9/32	34.5
6-R5V103	10.20	10.30	R1	6B	87/16	47/16	27/8	11/32	17/32	53/8	7/8	2	9/32	36.8
6-R5V109	10.80	10.90	R1	6B	9	47/16	27/8	11/32	17/32	53/8	7/8	2	9/32	39.6
6-R5V118	11.70	11.80	R1	6B	10	47/16	27/8	11/32	17/32	53/8	7/8	2	9/32	42.5
6-S5V125	12.40	12.50	S1	4C	103/4	55/16	43/8	1/2	9/16	63/8	11/16	35/16	3/8	65.0
6-S5V132	13.10	13.20	S1	4C	117/16	55/16	43/8	1/2	9/16	63/8	11/16	35/16	3/8	71.0
6-S5V140	13.90	14.00	S1	4C	121/4	55/16	43/8	1/2	9/16	63/8	11/16	35/16	3/8	70.0
6-S5V150	14.90	15.00	S1	4C	131/4	55/16	43/8	1/2	9/16	63/8	11/16	35/16	3/8	69.0
6-S5V160	15.90	16.00	S1	4C	141/4	55/16	43/8	1/2	9/16	63/8	11/16	35/16	3/8	79.0
6-S5V212	21.10	21.20	S1	4C	193/8	55/16	43/8	1/2	9/16	63/8	11/16	35/16	3/8	97.0
6-S5V250	24.90	25.00	S1	4C	231/4	55/16	43/8	1/2	9/16	63/8	11/16	35/16	3/8	113
6-S5V280	27.90	28.00	S1	4C	261/4	55/16	43/8	1/2	9/16	63/8	11/16	35/16	3/8	128
6-U5V375	37.40	37.50	U0	4C	353/4	53/4	415/16	27/32	11/32	83/8	13/16	33/4	15/32	206
6-U5V500	49.90	50.00	U0	4C	481/4	53/4	415/16	27/32	11/32	83/8	13/16	33/4	15/32	271

Taper Bore V-pulleys

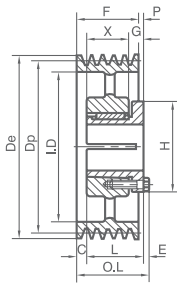
3V-5V-8V

Cast Iron Sheaves

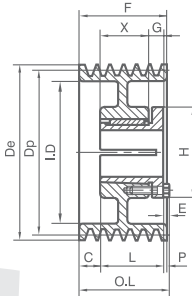
STL



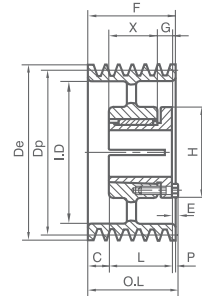
4B



4C



6B



6C

5V-8

F=5 13/16"(147.64mm)

SHEAVE	DIAMETERS		Bushing	Type	Dimensions									wt Incl Bush
	Dp	De			I.D	OL	L	P	C	H	G	X	E	
8-Q5V71	7.00	7.10	Q2	6B	53/8	513/16	31/2	1	15/16	41/8	3/4	23/4	9/32	27.9
8-Q5V75	7.40	7.50	Q2	6B	53/4	513/16	31/2	1	15/16	41/8	3/4	23/4	9/32	32.1
8-R5V80	7.90	8.00	R2	6B	61/4	61/16	47/8	1/32	29/32	53/8	7/8	4	9/32	45.3
8-R5V85	8.40	8.50	R2	6B	63/4	61/16	47/8	1/32	29/32	53/8	7/8	4	9/32	45.5
8-R5V90	8.90	9.00	R2	6B	71/4	61/16	47/8	1/32	29/32	53/8	7/8	4	9/32	50.1
8-S5V92	9.15	9.25	S1	6B	73/8	6	43/8	3/16	11/4	63/8	11/16	35/16	3/8	47.3
8-S5V97	9.65	9.75	S1	6B	77/8	6	43/8	3/16	11/4	63/8	11/16	35/16	3/8	50.0
8-S5V103	10.20	10.30	S1	6B	87/16	6	43/8	3/16	11/4	63/8	11/16	35/16	3/8	63.0
8-S5V109	10.80	10.90	S1	6B	9	6	43/8	3/16	11/4	63/8	11/16	35/16	3/8	71.0
8-S5V118	11.70	11.80	S1	6B	10	6	43/8	3/16	11/4	63/8	11/16	35/16	3/8	85.0
8-S5V125	12.40	12.50	S1	6C	103/4	6	43/8	3/16	11/4	63/8	11/16	35/16	3/8	76.0
8-S5V132	13.10	13.20	S1	6C	117/16	6	43/8	3/16	11/4	63/8	11/16	35/16	3/8	79.0
8-S5V140	13.90	14.00	S1	6C	121/4	6	43/8	3/16	11/4	63/8	11/16	35/16	3/8	77.0
8-S5V150	14.90	15.00	S1	6C	131/4	6	43/8	3/16	11/4	63/8	11/16	35/16	3/8	83.0
8-S5V160	15.90	16.00	S1	6C	141/4	6	43/8	3/16	11/4	63/8	11/16	35/16	3/8	90.0
8-U5V212	21.10	21.20	U1	4C	193/8	711/16	71/8	113/32	3/32	83/8	11/2	55/8	15/32	175
8-U5V250	24.90	25.00	U1	4C	231/4	711/16	71/8	113/32	3/32	83/8	11/2	55/8	15/32	190
8-U5V280	27.90	28.00	U1	4C	261/4	711/16	71/8	113/32	3/32	83/8	11/2	55/8	15/32	222
8-U5V375	37.40	37.50	U1	4C	353/4	711/16	71/8	113/32	3/32	83/8	11/2	55/8	15/32	264
8-U5V500	49.90	50.00	U1	4C	481/4	711/16	71/8	113/32	3/32	83/8	11/2	55/8	15/32	393

5V-10

F=7 3/16"(182.56mm)

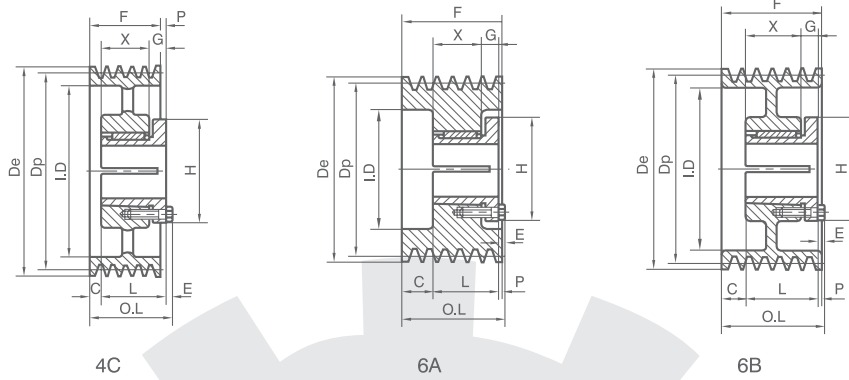
SHEAVE	DIAMETERS		Bushing	Type	Dimensions									wt Incl Bush
	Dp	De			I.D	OL	L	P	C	H	G	X	E	
10-R5V80	7.90	8.00	R2	6B	61/4	73/16	47/8	23/32	119/32	53/8	7/8	4	9/32	43.8
10-R5V85	8.40	8.50	R2	6B	63/4	73/16	47/8	23/32	119/32	53/8	7/8	4	9/32	53.0
10-R5V90	8.90	9.00	R2	6B	71/4	73/16	47/8	23/32	119/32	53/8	7/8	4	9/32	59.0
10-S5V92	9.15	9.25	S1	6B	73/8	73/16	43/8	7/8	115/16	63/8	11/16	35/16	3/8	53.0
10-S5V97	9.65	9.75	S1	6B	77/8	73/16	43/8	7/8	115/16	63/8	11/16	35/16	3/8	60.0
10-S5V103	10.20	10.30	S1	6B	87/16	73/16	43/8	7/8	115/16	63/8	11/16	35/16	3/8	69.0
10-S5V109	10.80	10.90	S1	6B	9	73/16	43/8	7/8	115/16	63/8	11/16	35/16	3/8	78.0
10-S5V118	11.70	11.80	S1	6B	10	73/16	43/8	7/8	115/16	63/8	11/16	35/16	3/8	93.0
10-U5V125	12.40	12.50	U1	4B	103/4	83/8	71/8	23/32	25/32	83/8	11/2	55/8	15/32	132
10-U5V132	13.10	13.20	U1	4B	117/16	83/8	71/8	23/32	25/32	83/8	11/2	55/8	15/32	151
10-U5V140	13.90	14.00	U1	4B	121/4	83/8	71/8	23/32	25/32	83/8	11/2	55/8	15/32	177
10-U5V150	14.90	15.00	U1	4B	131/4	83/8	71/8	23/32	25/32	83/8	11/2	55/8	15/32	164
10-U5V160	15.90	16.00	U1	4B	141/4	83/8	71/8	23/32	25/32	83/8	11/2	55/8	15/32	178
10-U5V212	21.10	21.20	U1	4C	193/8	83/8	71/8	23/32	25/32	83/8	11/2	55/8	15/32	188
10-U5V250	24.90	25.00	U1	4C	231/4	83/8	71/8	23/32	25/32	83/8	11/2	55/8	15/32	213
10-U5V280	27.90	28.00	U1	4C	261/4	83/8	71/8	23/32	25/32	83/8	11/2	55/8	15/32	238
10-U5V375	37.40	37.50	U1	4C	353/4	83/8	71/8	23/32	25/32	83/8	11/2	55/8	15/32	293
10-U5V500	49.90	50.00	U1	4C	481/4	83/8	71/8	23/32	25/32	83/8	11/2	55/8	15/32	428

**T_{aper}
B_{ore} V-pulleys**

3V-5V-8V

Cast Iron Sheaves

STL



8V-4

F=4 7/8" (123.83mm)

SHEAVE	DIAMETERS		Bushing	Type	Dimensions								wt Incl Bush	
	Dp	De			I.D	OL	L	P	C	H	G	X		E
4-S8V125	12.30	12.50	S ₁	6A	9 1/2	4 7/8	4 3/8	1/2	—	6 3/8	1 1/16	3 5/16	3/8	94
4-S8V132	13.00	13.20	S ₁	6A	10 1/4	4 7/8	4 3/8	1/2	—	6 3/8	1 1/16	3 5/16	3/8	99
4-S8V140	13.80	14.00	S ₁	6A	11	4 7/8	4 3/8	1/2	—	6 3/8	1 1/16	3 5/16	3/8	114
4-S8V150	14.80	15.00	S ₁	6B	12	4 7/8	4 3/8	1/2	—	6 3/8	1 1/16	3 5/16	3/8	107
4-S8V160	15.80	16.00	S ₁	6B	13	4 7/8	4 3/8	1/2	—	6 3/8	1 1/16	3 5/16	3/8	113
4-S8V170	16.80	17.00	S ₁	6B	14	4 7/8	4 3/8	1/2	—	6 3/8	1 1/16	3 5/16	3/8	115
4-S8V180	17.80	18.00	S ₁	6B	15	4 7/8	4 3/8	1/2	—	6 3/8	1 1/16	3 5/16	3/8	123
4-S8V190	18.80	19.00	S ₁	6B	16	4 7/8	4 3/8	1/2	—	6 3/8	1 1/16	3 5/16	3/8	132
4-S8V200	19.80	20.00	S ₁	6B	17	4 7/8	4 3/8	1/2	—	6 3/8	1 1/16	3 5/16	3/8	147
4-S8V212	21.00	21.20	S ₁	6B	18 1/4	4 7/8	4 3/8	1/2	—	6 3/8	1 1/16	3 5/16	3/8	159
4-U8V224	22.20	22.40	U ₀	4C	19 3/8	5 31/32	4 15/16	5/8	9/16	8 3/8	1 3/16	3 3/4	15/32	179
4-U8V300	29.80	30.00	U ₀	4C	27	5 31/32	4 15/16	5/8	9/16	8 3/8	1 3/16	3 3/4	15/32	218
4-U8V400	39.80	40.00	U ₀	4C	37	5 31/32	4 15/16	5/8	9/16	8 3/8	1 3/16	3 3/4	15/32	296
4-U8V480	47.80	48.00	U ₀	4C	45	5 31/32	4 15/16	5/8	9/16	8 3/8	1 3/16	3 3/4	15/32	405
4-U8V530	52.80	53.00	U ₀	4C	49 3/4	5 31/32	4 15/16	5/8	9/16	8 3/8	1 3/16	3 3/4	15/32	450
4-U8V580	57.80	58.00	U ₀	4C	54 3/4	5 31/32	4 15/16	5/8	9/16	8 3/8	1 3/16	3 3/4	15/32	495
4-U8V640	63.80	64.00	U ₀	4C	60 3/4	5 31/32	4 15/16	5/8	9/16	8 3/8	1 3/16	3 3/4	15/32	520

8V-5

F=6" (152.40mm)

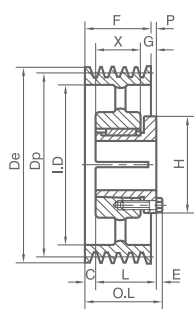
SHEAVE	DIAMETERS		Bushing	Type	Dimensions								wt Incl Bush	
	Dp	De			I.D	OL	L	P	C	H	G	X		E
5-S8V125	12.30	12.50	S ₁	6B	9 1/2	6	4 3/8	7/8	3/4	6 3/8	1 1/16	3 5/16	3/8	100
5-S8V132	13.00	13.20	S ₁	6B	10 1/4	6	4 3/8	7/8	3/4	6 3/8	1 1/16	3 5/16	3/8	109
5-S8V140	13.80	14.00	S ₁	6B	11	6	4 3/8	7/8	3/4	6 3/8	1 1/16	3 5/16	3/8	127
5-S8V150	14.80	15.00	S ₁	6B	12	6	4 3/8	7/8	3/4	6 3/8	1 1/16	3 5/16	3/8	120
5-S8V160	15.80	16.00	S ₁	6B	13	6	4 3/8	7/8	3/4	6 3/8	1 1/16	3 5/16	3/8	127
5-S8V170	16.80	17.00	S ₁	6B	14	6	4 3/8	7/8	3/4	6 3/8	1 1/16	3 5/16	3/8	133
5-S8V180	17.80	18.00	S ₁	6B	15	6	4 3/8	7/8	3/4	6 3/8	1 1/16	3 5/16	3/8	140
5-S8V190	18.80	19.00	S ₁	6B	16	6	4 3/8	7/8	3/4	6 3/8	1 1/16	3 5/16	3/8	158
5-S8V200	19.80	20.00	S ₁	6B	17	6	4 3/8	7/8	3/4	6 3/8	1 1/16	3 5/16	3/8	166
5-S8V212	21.00	21.20	S ₁	6B	18 1/4	6	4 3/8	7/8	3/4	6 3/8	1 1/16	3 5/16	3/8	174
5-U8V224	22.20	22.40	U ₀	4C	19 3/8	6 17/32	4 15/16	1/16	1 1/8	8 3/8	1 3/16	3 3/4	15/32	197
5-U8V300	29.80	30.00	U ₀	4C	27	6 17/32	4 15/16	1/16	1 1/8	8 3/8	1 3/16	3 3/4	15/32	243
5-U8V400	39.80	40.00	U ₀	4C	37	6 17/32	4 15/16	1/16	1 1/8	8 3/8	1 3/16	3 3/4	15/32	325
5-U8V480	47.80	48.00	U ₀	4C	45	6 17/32	4 15/16	1/16	1 1/8	8 3/8	1 3/16	3 3/4	15/32	440
5-U8V530	52.80	53.00	U ₀	4C	49 3/4	6 17/32	4 15/16	1/16	1 1/8	8 3/8	1 3/16	3 3/4	15/32	480
5-U8V580	57.80	58.00	U ₀	4C	54 3/4	6 17/32	4 15/16	1/16	1 1/8	8 3/8	1 3/16	3 3/4	15/32	525
5-U8V640	63.80	64.00	U ₀	4C	60 3/4	6 17/32	4 15/16	1/16	1 1/8	8 3/8	1 3/16	3 3/4	15/32	555

Taper B V-pulleys

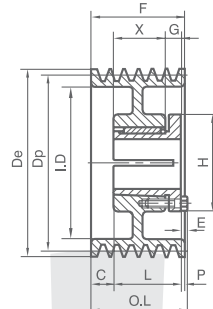
3V-5V-8V

Cast Iron Sheaves

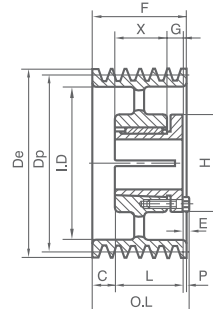
STL



4C



6B



6C

8V-6

F=7 1/8"(180.98mm)

SHEAVE	DIAMETERS		Bushing	Type	Dimensions									wt Incl Bush
	Dp	De			I.D	OL	L	P	C	H	G	X	E	
6-S8V125	12.30	12.50	S ₁	6B	9 1/2	7 1/8	4 3/8	2	3/4	6 3/8	1 1/16	3 5/16	3/8	109
6-S8V132	13.00	13.20	S ₁	6B	10 1/4	7 1/8	4 3/8	2	3/4	6 3/8	1 1/16	3 5/16	3/8	119
6-S8V140	13.80	14.00	S ₁	6B	11	7 1/8	4 3/8	2	3/4	6 3/8	1 1/16	3 5/16	3/8	135
6-S8V150	14.80	15.00	S ₁	6B	12	7 1/8	4 3/8	2	3/4	6 3/8	1 1/16	3 5/16	3/8	139
6-S8V160	15.80	16.00	S ₁	6B	13	7 1/8	4 3/8	2	3/4	6 3/8	1 1/16	3 5/16	3/8	143
6-S8V170	16.80	17.00	S ₁	6B	14	7 1/8	4 3/8	2	3/4	6 3/8	1 1/16	3 5/16	3/8	147
6-S8V180	17.80	18.00	S ₁	6B	15	7 1/8	4 3/8	2	3/4	6 3/8	1 1/16	3 5/16	3/8	154
6-S8V190	18.80	19.00	S ₁	6B	16	7 1/8	4 3/8	2	3/4	6 3/8	1 1/16	3 5/16	3/8	167
6-S8V200	19.80	20.00	S ₁	6B	17	7 1/8	4 3/8	2	3/4	6 3/8	1 1/16	3 5/16	3/8	178
6-S8V212	21.00	21.20	S ₁	6B	18 1/4	7 1/8	4 3/8	2	3/4	6 3/8	1 1/16	3 5/16	3/8	186
6-U8V224	22.20	22.40	U ₀	6C	19 3/8	7 1/8	4 15/16	1/2	1 11/16	8 3/8	1 3/16	3 3/4	15/32	195
6-U8V300	29.80	30.00	U ₀	6C	27	7 1/8	4 15/16	1/2	1 11/16	8 3/8	1 3/16	3 3/4	15/32	263
6-U8V400	39.80	40.00	U ₀	6C	37	7 1/8	4 15/16	1/2	1 11/16	8 3/8	1 3/16	3 3/4	15/32	368
6-U8V480	47.80	48.00	U ₀	6C	45	7 1/8	4 15/16	1/2	1 11/16	8 3/8	1 3/16	3 3/4	15/32	478
6-U8V530	52.80	53.00	U ₀	6C	49 3/4	7 1/8	4 15/16	1/2	1 11/16	8 3/8	1 3/16	3 3/4	15/32	510
6-U8V580	57.80	58.00	U ₀	6C	54 3/4	7 1/8	4 15/16	1/2	1 11/16	8 3/8	1 3/16	3 3/4	15/32	555
6-U8V640	63.80	64.00	U ₀	6C	60 3/4	7 1/8	4 15/16	1/2	1 11/16	8 3/8	1 3/16	3 3/4	15/32	585

8V-8

F=9 3/8"(238.13mm)

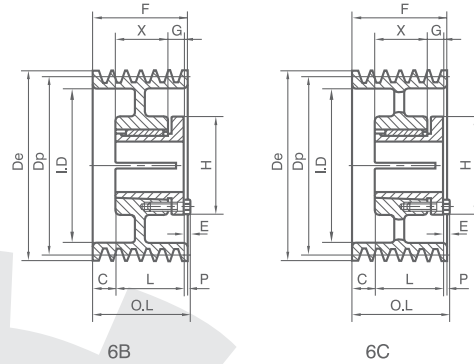
SHEAVE	DIAMETERS		Bushing	Type	Dimensions									wt Incl Bush
	Dp	De			I.D	OL	L	P	C	H	G	X	E	
8-S8V125	12.30	12.50	S ₂	6B	9 1/2	9 3/8	6 3/4	1 7/8	3/4	6 3/8	1 1/16	5 11/16	3/8	140
8-S8V132	13.00	13.20	S ₂	6B	10 1/4	9 3/8	6 3/4	1 7/8	3/4	6 3/8	1 1/16	5 11/16	3/8	176
8-S8V140	13.80	14.00	S ₂	6B	11	9 3/8	6 3/4	1 7/8	3/4	6 3/8	1 1/16	5 11/16	3/8	205
8-S8V150	14.80	15.00	S ₂	6B	12	9 3/8	6 3/4	1 7/8	3/4	6 3/8	1 1/16	5 11/16	3/8	211
8-S8V160	15.80	16.00	S ₂	6B	13	9 3/8	6 3/4	1 7/8	3/4	6 3/8	1 1/16	5 11/16	3/8	220
8-U8V170	16.80	17.00	U ₁	6B	14	9 3/8	7 1/8	1 1/4	1	8 3/8	1 1/2	5 5/8	15/32	248
8-U8V180	17.80	18.00	U ₁	6B	15	9 3/8	7 1/8	1 1/4	1	8 3/8	1 1/2	5 5/8	15/32	249
8-U8V190	18.80	19.00	U ₁	6B	16	9 3/8	7 1/8	1 1/4	1	8 3/8	1 1/2	5 5/8	15/32	251
8-U8V200	19.80	20.00	U ₁	6B	17	9 3/8	7 1/8	1 1/4	1	8 3/8	1 1/2	5 5/8	15/32	255
8-U8V212	21.00	21.20	U ₁	6B	18 1/4	9 3/8	7 1/8	1 1/4	1	8 3/8	1 1/2	5 5/8	15/32	268
8-U8V224	22.20	22.40	U ₁	6C	19 3/8	9 15/32	7 1/8	3/8	1 7/8	8 3/8	1 1/2	5 5/8	15/32	295
8-U8V300	29.80	30.00	U ₁	6C	27	9 15/32	7 1/8	3/8	1 7/8	8 3/8	1 1/2	5 5/8	15/32	358
8-W8V400	39.80	40.00	W ₁	4C	37	10 5/16	8 1/4	3/8	1 1/2	12 1/2	1 7/8	6 3/8	9/16	567
8-W8V480	47.80	48.00	W ₁	4C	45	10 5/16	8 1/4	3/8	1 1/2	12 1/2	1 7/8	6 3/8	9/16	715
8-W8V530	52.80	53.00	W ₁	4C	49 3/4	10 5/16	8 1/4	3/8	1 1/2	12 1/2	1 7/8	6 3/8	9/16	762
8-W8V580	57.80	58.00	W ₁	4C	54 3/4	10 5/16	8 1/4	3/8	1 1/2	12 1/2	1 7/8	6 3/8	9/16	914
8-W8V640	63.80	64.00	W ₁	4C	60 3/4	10 5/16	8 1/4	3/8	1 1/2	12 1/2	1 7/8	6 3/8	9/16	970

**T_{aper}
B_{ore} V-pulleys**

3V-5V-8V

Cast Iron Sheaves

STL



8V-10

F = 11 5/8" (295.28mm)

SHEAVE	DIAMETERS		Bushing	Type	Dimensions									wt Incl Bush
	Dp	De			I.D	OL	L	P	C	H	G	X	E	
10-U8V125	12.30	12.50	U ₁	6B	9 1/2	11 5/8	7 1/8	3 1/2	1	8 3/8	1 1/2	5 5/8	15/32	156
10-U8V132	13.00	13.20	U ₁	6B	10 1/4	11 5/8	7 1/8	3 1/2	1	8 3/8	1 1/2	5 5/8	15/32	182
10-U8V140	13.80	14.00	U ₁	6B	11	11 5/8	7 1/8	3 1/2	1	8 3/8	1 1/2	5 5/8	15/32	207
10-U8V150	14.80	15.00	U ₁	6B	12	11 5/8	7 1/8	3 1/2	1	8 3/8	1 1/2	5 5/8	15/32	240
10-U8V160	15.80	16.00	U ₁	6B	13	11 5/8	7 1/8	3 1/2	1	8 3/8	1 1/2	5 5/8	15/32	274
10-U8V170	16.80	17.00	U ₁	6B	14	11 5/8	7 1/8	3 1/2	1	8 3/8	1 1/2	5 5/8	15/32	283
10-U8V180	17.80	18.00	U ₁	6B	15	11 5/8	7 1/8	3 1/2	1	8 3/8	1 1/2	5 5/8	15/32	292
10-U8V190	18.80	19.00	U ₁	6B	16	11 5/8	7 1/8	3 1/2	1	8 3/8	1 1/2	5 5/8	15/32	304
10-U8V200	19.80	20.00	U ₁	6B	17	11 5/8	7 1/8	3 1/2	1	8 3/8	1 1/2	5 5/8	15/32	319
10-U8V212	21.00	21.20	U ₁	6B	18 1/4	11 5/8	7 1/8	3 1/2	1	8 3/8	1 1/2	5 5/8	15/32	326
10-U8V224	22.20	22.40	U ₁	6C	19 3/8	11 5/8	7 1/8	1 1/2	3	8 3/8	1 1/2	5 5/8	15/32	368
10-U8V300	29.80	30.00	U ₁	6C	27	11 5/8	7 1/8	1 1/2	3	8 3/8	1 1/2	5 5/8	15/32	410
10-W8V400	39.80	40.00	W ₁	6C	37	11 5/8	8 1/4	3/4	2 5/8	12 1/2	1 7/8	6 3/8	9/16	625
10-W8V480	47.80	48.00	W ₁	6C	45	11 5/8	8 1/4	3/4	2 5/8	12 1/2	1 7/8	6 3/8	9/16	811
10-W8V530	52.80	53.00	W ₁	6C	49 3/4	11 5/8	8 1/4	3/4	2 5/8	12 1/2	1 7/8	6 3/8	9/16	955
10-W8V580	57.80	58.00	W ₁	6C	54 3/4	11 5/8	8 1/4	3/4	2 5/8	12 1/2	1 7/8	6 3/8	9/16	1060
10-W8V640	63.80	64.00	W ₁	6C	60 3/4	11 5/8	8 1/4	3/4	2 5/8	12 1/2	1 7/8	6 3/8	9/16	1170

8V-12

F = 13 7/8" (352.43mm)

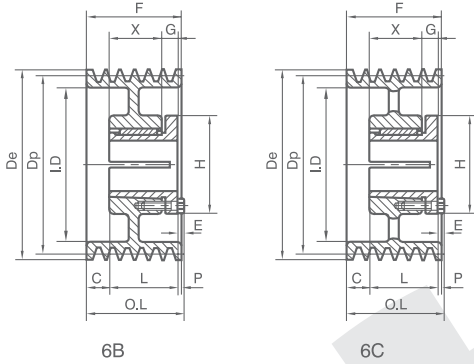
SHEAVE	DIAMETERS		Bushing	Type	Dimensions									wt Incl Bush
	Dp	De			I.D	OL	L	P	C	H	G	X	E	
12-U8V125	12.30	12.50	U ₂	6B	9 1/2	13 7/8	10 1/8	2 3/4	1	8 3/8	1 1/2	8 5/8	15/32	200
12-U8V132	13.00	13.20	U ₂	6B	10 1/4	13 7/8	10 1/8	2 3/4	1	8 3/8	1 1/2	8 5/8	15/32	243
12-U8V140	13.80	14.00	U ₂	6B	11	13 7/8	10 1/8	2 3/4	1	8 3/8	1 1/2	8 5/8	15/32	282
12-U8V150	14.80	15.00	U ₂	6B	12	13 7/8	10 1/8	2 3/4	1	8 3/8	1 1/2	8 5/8	15/32	331
12-U8V160	15.80	16.00	U ₂	6B	13	13 7/8	10 1/8	2 3/4	1	8 3/8	1 1/2	8 5/8	15/32	387
12-U8V170	16.80	17.00	U ₂	6B	14	13 7/8	10 1/8	2 3/4	1	8 3/8	1 1/2	8 5/8	15/32	395
12-U8V180	17.80	18.00	U ₂	6B	15	13 7/8	10 1/8	2 3/4	1	8 3/8	1 1/2	8 5/8	15/32	408
12-U8V190	18.80	19.00	U ₂	6B	16	13 7/8	10 1/8	2 3/4	1	8 3/8	1 1/2	8 5/8	15/32	435
12-U8V200	19.80	20.00	U ₂	6B	17	13 7/8	10 1/8	2 3/4	1	8 3/8	1 1/2	8 5/8	15/32	458
12-U8V212	21.00	21.20	U ₂	6B	18 1/4	13 7/8	10 1/8	2 3/4	1	8 3/8	1 1/2	8 5/8	15/32	471
12-U8V224	22.20	22.40	U ₂	6C	19 3/8	13 7/8	10 1/8	1 1/8	2 5/8	8 3/8	1 1/2	8 5/8	15/32	489
12-U8V300	29.80	30.00	U ₂	6C	27	13 7/8	10 1/8	1 1/8	2 5/8	8 3/8	1 1/2	8 5/8	15/32	509
12-W8V400	39.80	40.00	W ₂	6C	37	14 1/16	11 1/4	3/8	2 1/4	12 1/2	1 7/8	9 3/8	9/16	764
12-W8V480	47.80	48.00	W ₂	6C	45	14 1/16	11 1/4	3/8	2 1/4	12 1/2	1 7/8	9 3/8	9/16	1000
12-W8V530	52.80	53.00	W ₂	6C	49 3/4	14 1/16	11 1/4	3/8	2 1/4	12 1/2	1 7/8	9 3/8	9/16	1160
12-W8V580	57.80	58.00	W ₂	6C	54 3/4	14 1/16	11 1/4	3/8	2 1/4	12 1/2	1 7/8	9 3/8	9/16	1330
12-W8V640	63.80	64.00	W ₂	6C	60 3/4	14 1/16	11 1/4	3/8	2 1/4	12 1/2	1 7/8	9 3/8	9/16	1460

Taper Bore V-pulleys

3V-5V-8V

Cast Iron Sheaves

STL



8V-14

F=16 1/8"(409.58mm)

SHEAVE	DIAMETERS		Bushing	Type	Dimensions									wt Incl Bush
	Dp	De			I.D	OL	L	P	C	H	G	X	E	
14-U8V125	12.30	12.50	U ₂	6B	9 ^{1/2}	16 ^{1/8}	10 ^{1/8}	5	1	8 ^{3/8}	1 ^{1/2}	8 ^{5/8}	15/32	220
14-U8V132	13.00	13.20	U ₂	6B	10 ^{1/4}	16 ^{1/8}	10 ^{1/8}	5	1	8 ^{3/8}	1 ^{1/2}	8 ^{5/8}	15/32	261
14-U8V140	13.80	14.00	U ₂	6B	11	16 ^{1/8}	10 ^{1/8}	5	1	8 ^{3/8}	1 ^{1/2}	8 ^{5/8}	15/32	300
14-U8V150	14.80	15.00	U ₂	6B	12	16 ^{1/8}	10 ^{1/8}	5	1	8 ^{3/8}	1 ^{1/2}	8 ^{5/8}	15/32	370
14-U8V160	15.80	16.00	U ₂	6B	13	16 ^{1/8}	10 ^{1/8}	5	1	8 ^{3/8}	1 ^{1/2}	8 ^{5/8}	15/32	415
14-U8V170	16.80	17.00	U ₂	6B	14	16 ^{1/8}	10 ^{1/8}	5	1	8 ^{3/8}	1 ^{1/2}	8 ^{5/8}	15/32	440
14-U8V180	17.80	18.00	U ₂	6B	15	16 ^{1/8}	10 ^{1/8}	5	1	8 ^{3/8}	1 ^{1/2}	8 ^{5/8}	15/32	450
14-U8V190	18.80	19.00	U ₂	6B	16	16 ^{1/8}	10 ^{1/8}	5	1	8 ^{3/8}	1 ^{1/2}	8 ^{5/8}	15/32	470
14-U8V200	19.80	20.00	U ₂	6B	17	16 ^{1/8}	10 ^{1/8}	5	1	8 ^{3/8}	1 ^{1/2}	8 ^{5/8}	15/32	490
14-U8V212	21.00	21.20	U ₂	6B	18 ^{1/4}	16 ^{1/8}	10 ^{1/8}	5	1	8 ^{3/8}	1 ^{1/2}	8 ^{5/8}	15/32	510
14-U8V224	22.20	22.40	U ₂	6C	19 ^{3/8}	16 ^{1/8}	10 ^{1/8}	2 ^{1/4}	3 ^{3/4}	8 ^{3/8}	1 ^{1/2}	8 ^{5/8}	15/32	659
14-U8V300	29.80	30.00	U ₂	6C	27	16 ^{1/8}	10 ^{1/8}	2 ^{1/4}	3 ^{3/4}	8 ^{3/8}	1 ^{1/2}	8 ^{5/8}	15/32	710
14-W8V400	39.80	40.00	W ₂	6C	37	16 ^{1/8}	11 ^{1/4}	1 ^{1/2}	3 ^{3/8}	12 ^{1/2}	1 ^{7/8}	9 ^{3/8}	9/16	840
14-W8V480	47.80	48.00	W ₂	6C	45	16 ^{1/8}	11 ^{1/4}	1 ^{1/2}	3 ^{3/8}	12 ^{1/2}	1 ^{7/8}	9 ^{3/8}	9/16	1140
14-W8V530	52.80	53.00	W ₂	6C	49 ^{3/4}	16 ^{1/8}	11 ^{1/4}	1 ^{1/2}	3 ^{3/8}	12 ^{1/2}	1 ^{7/8}	9 ^{3/8}	9/16	1234
14-W8V580	57.80	58.00	W ₂	6C	54 ^{3/4}	16 ^{1/8}	11 ^{1/4}	1 ^{1/2}	3 ^{3/8}	12 ^{1/2}	1 ^{7/8}	9 ^{3/8}	9/16	1450
14-W8V640	63.80	64.00	W ₂	6C	60 ^{3/4}	16 ^{1/8}	11 ^{1/4}	1 ^{1/2}	3 ^{3/8}	12 ^{1/2}	1 ^{7/8}	9 ^{3/8}	9/16	1550

8V-16

F=18 3/8"(466.73mm)

SHEAVE	DIAMETERS		Bushing	Type	Dimensions									wt Incl Bush
	Dp	De			I.D	OL	L	P	C	H	G	X	E	
16-U8V125	12.30	12.50	U ₂	6B	9 ^{1/2}	18 ^{3/8}	10 ^{1/8}	7 ^{1/4}	1	8 ^{3/8}	1 ^{1/2}	8 ^{5/8}	15/32	270
16-U8V132	13.00	13.20	U ₂	6B	10 ^{1/4}	18 ^{3/8}	10 ^{1/8}	7 ^{1/4}	1	8 ^{3/8}	1 ^{1/2}	8 ^{5/8}	15/32	280
16-U8V140	13.80	14.00	U ₂	6B	11	18 ^{3/8}	10 ^{1/8}	7 ^{1/4}	1	8 ^{3/8}	1 ^{1/2}	8 ^{5/8}	15/32	323
16-U8V150	14.80	15.00	U ₂	6B	12	18 ^{3/8}	10 ^{1/8}	7 ^{1/4}	1	8 ^{3/8}	1 ^{1/2}	8 ^{5/8}	15/32	430
16-U8V160	15.80	16.00	U ₂	6B	13	18 ^{3/8}	10 ^{1/8}	7 ^{1/4}	1	8 ^{3/8}	1 ^{1/2}	8 ^{5/8}	15/32	445
16-U8V170	16.80	17.00	U ₂	6B	14	18 ^{3/8}	10 ^{1/8}	7 ^{1/4}	1	8 ^{3/8}	1 ^{1/2}	8 ^{5/8}	15/32	467
16-U8V180	17.80	18.00	U ₂	6B	15	18 ^{3/8}	10 ^{1/8}	7 ^{1/4}	1	8 ^{3/8}	1 ^{1/2}	8 ^{5/8}	15/32	480
16-U8V190	18.80	19.00	U ₂	6B	16	18 ^{3/8}	10 ^{1/8}	7 ^{1/4}	1	8 ^{3/8}	1 ^{1/2}	8 ^{5/8}	15/32	494
16-U8V200	19.80	20.00	U ₂	6B	17	18 ^{3/8}	10 ^{1/8}	7 ^{1/4}	1	8 ^{3/8}	1 ^{1/2}	8 ^{5/8}	15/32	520
16-U8V212	21.00	21.20	U ₂	6B	18 ^{1/4}	18 ^{3/8}	10 ^{1/8}	7 ^{1/4}	1	8 ^{3/8}	1 ^{1/2}	8 ^{5/8}	15/32	538
16-U8V224	22.20	22.40	U ₂	6C	19 ^{3/8}	18 ^{3/8}	10 ^{1/8}	3 ^{3/8}	4 ^{7/8}	8 ^{3/8}	1 ^{1/2}	8 ^{5/8}	15/32	722
16-W8V300	29.80	30.00	W ₂	6C	27	18 ^{3/8}	11 ^{1/4}	2 ^{5/8}	4 ^{1/2}	12 ^{1/2}	1 ^{7/8}	9 ^{3/8}	9/16	990
16-W8V400	39.80	40.00	W ₂	6C	37	18 ^{3/8}	11 ^{1/4}	2 ^{5/8}	4 ^{1/2}	12 ^{1/2}	1 ^{7/8}	9 ^{3/8}	9/16	1071
16-W8V480	47.80	48.00	W ₂	6C	45	18 ^{3/8}	11 ^{1/4}	2 ^{5/8}	4 ^{1/2}	12 ^{1/2}	1 ^{7/8}	9 ^{3/8}	9/16	1360
16-W8V530	52.80	53.00	W ₂	6C	49 ^{3/4}	18 ^{3/8}	11 ^{1/4}	2 ^{5/8}	4 ^{1/2}	12 ^{1/2}	1 ^{7/8}	9 ^{3/8}	9/16	1490
16-W8V580	57.80	58.00	W ₂	6C	54 ^{3/4}	18 ^{3/8}	11 ^{1/4}	2 ^{5/8}	4 ^{1/2}	12 ^{1/2}	1 ^{7/8}	9 ^{3/8}	9/16	1620
16-W8V640	63.80	64.00	W ₂	6C	60 ^{3/4}	18 ^{3/8}	11 ^{1/4}	2 ^{5/8}	4 ^{1/2}	12 ^{1/2}	1 ^{7/8}	9 ^{3/8}	9/16	1790