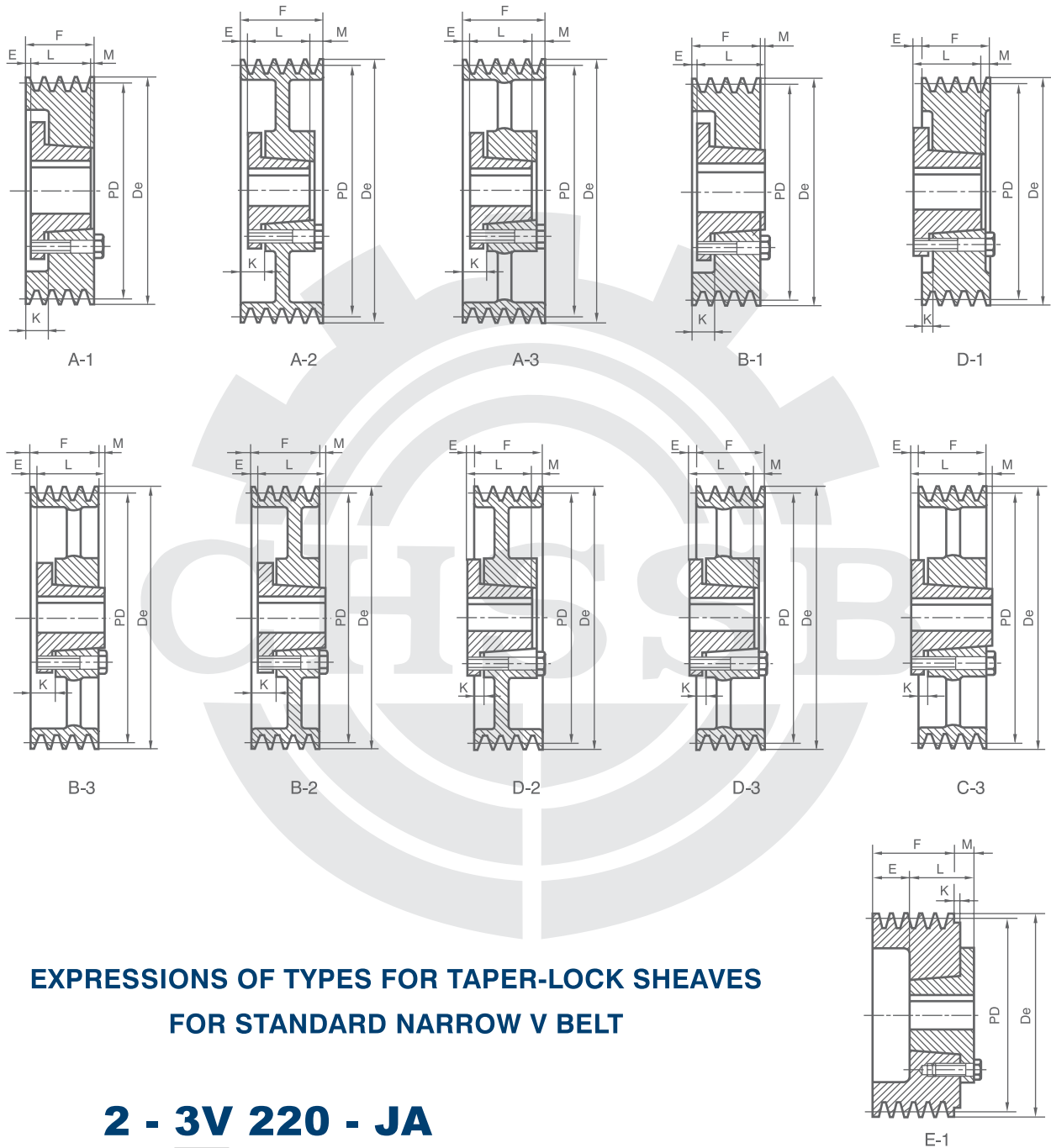


**T<sub>aper</sub>  
B<sub>ore</sub> V-pulleys**

**3V-5V-8V**

**QTL Taper bushing**



**EXPRESSIONS OF TYPES FOR TAPER-LOCK SHEAVES  
FOR STANDARD NARROW V BELT**

**2 - 3V 220 - JA**

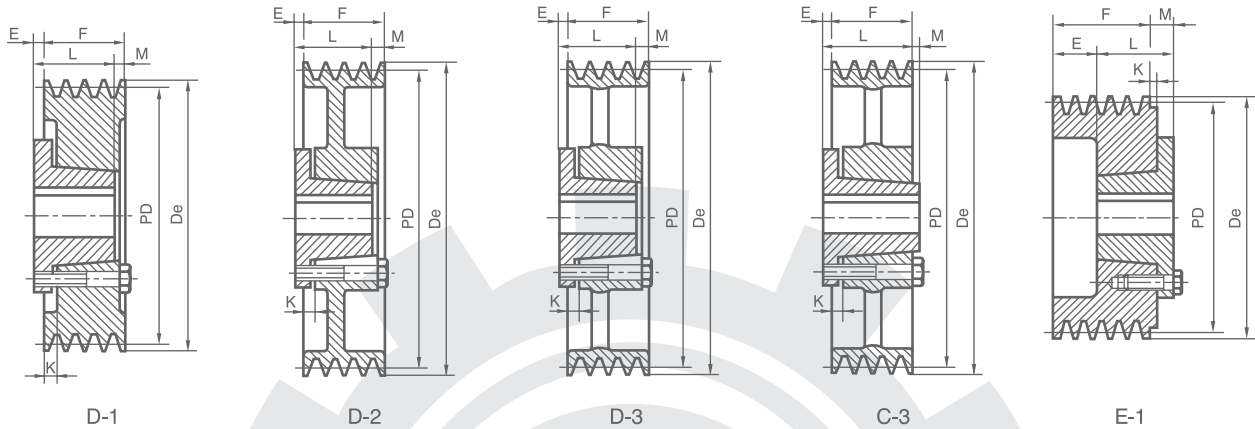
- Types of Taper Lock Bushings
- Outer Dia. of Sheaves (inches x 100)
- Types for V Gripbelt
- Groove

**T<sub>aper</sub>  
B<sub>ore</sub> V-pulleys**

**3V-5V-8V**

**Cast Iron Sheaves**

**QTL**



**3V-1**

**F=11/16"(17.46mm)**

SHEAVE	De	Dp	Bush Max Bore	Bush	Type	Db	E	K	L	M	WT Less Bush
1-3V220-JA	2.20	2.15	1 1/4	JA	E1	—	9/16	7/16	1 1/16	15/16	0.7
1-3V235-JA	2.35	2.30	1 1/4	JA	E1	—	9/16	7/16	1 1/16	15/16	0.8
1-3V250-JA	2.50	2.45	1 1/4	JA	E1	—	9/16	7/16	1 1/16	15/16	0.9
1-3V265-JA	2.65	2.60	1 1/4	JA	C1	—	3/8	1/8	1 1/16	—	0.9
1-3V280-JA	2.80	2.75	1 1/4	JA	C1	—	3/8	1/8	1 1/16	—	1.0
1-3V300-JA	3.00	2.95	1 1/4	JA	C1	—	3/8	1/8	1 1/16	—	1.0
1-3V315-JA	3.15	3.10	1 1/4	JA	C1	—	3/8	1/8	1 1/16	—	1.1
1-3V335-JA	3.35	3.30	1 1/4	JA	C1	—	3/8	1/8	1 1/16	—	1.3
1-3V365-SH	3.65	3.60	1 11/16	SH	D1	—	9/16	—	15/16	1/16	1.7
1-3V412-SH	4.12	4.07	1 11/16	SH	D1	—	9/16	—	15/16	1/16	2.1
1-3C450-SH	4.50	4.45	1 11/16	SH	D2	3	9/16	—	15/16	1/16	2.5
1-3V475-SH	4.75	4.70	1 11/16	SH	D2	3	9/16	—	15/16	1/16	2.8
1-3V500-SH	5.00	4.95	1 11/16	SH	D2	3	9/16	—	15/16	1/16	3.2
1-3V530-SH	5.30	5.25	1 11/16	SH	D2	3	9/16	—	15/16	1/16	3.2
1-3V560-SH	5.60	5.55	1 11/16	SH	D2	3	9/16	—	15/16	1/16	3.5
1-3V600-SH	6.00	5.95	1 11/16	SH	D2	3	9/16	—	15/16	1/16	3.9
1-3V650-SH	6.50	6.45	1 11/16	SH	D3	3	9/16	—	15/16	1/16	4.5
1-3V690-SH	6.90	6.85	1 11/16	SH	D3	3	9/16	—	15/16	1/16	5.5
1-3V800-SDS	8.00	7.95	2	SDS	C3	3 1/2	5/8	—	1 3/8	—	8.0
1-3V1060-SDS	10.60	10.55	2	SDS	C3	3 1/2	5/8	—	1 3/8	—	13.5
1-3V1400-SK	14.00	13.95	2 5/8	SK	C3	4 3/8	11/16	—	1 15/16	—	17.0
1-3V1900-SK	19.00	18.95	2 5/8	SK	C3	4 3/8	11/16	—	1 15/16	—	19.5

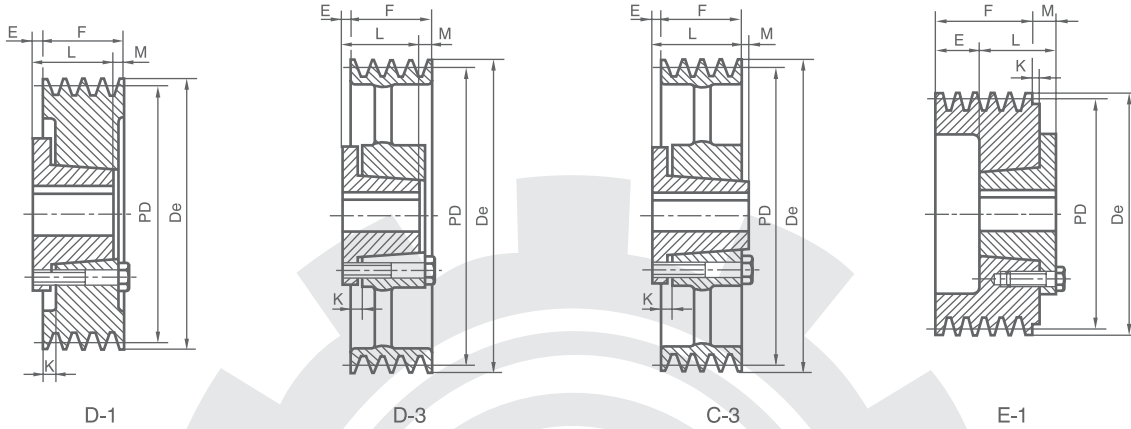
F=3/4" for 1-3V800-SDS and 1-3V1060-SDS, F=13/16" for 1-3V1400-SK and 1-3V1900-SK

**T<sub>aper</sub>  
B<sub>ore</sub> V-pulleys**

**3V-5V-8V**

**Cast Iron Sheaves**

**QTL**



**3V-2**

**F = 1 3/32" (27.78mm)**

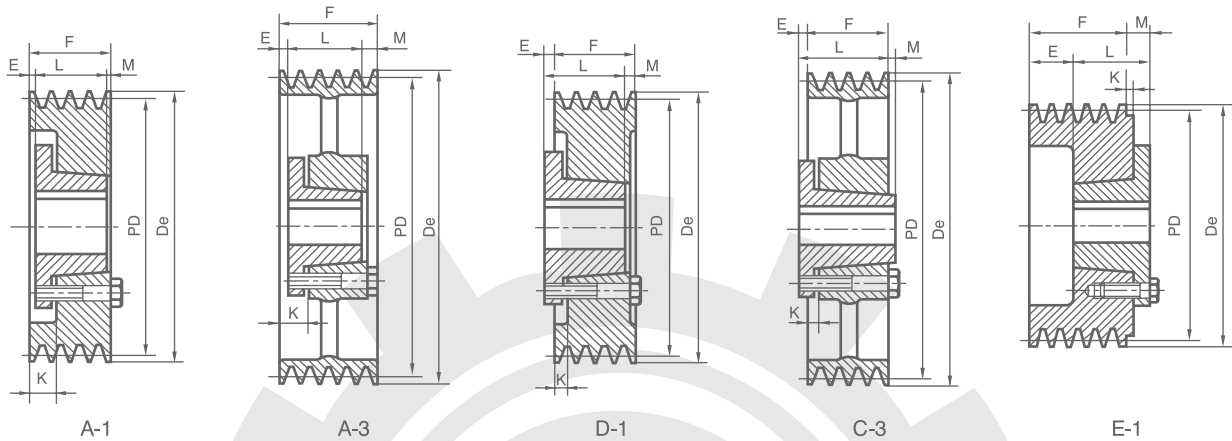
SHEAVE	De	Dp	Bush Max Bore	Bush	Type	Db	E	K	L	M	WT Less Bush
2-3V220-JA	2.20	2.15	1 1/4	JA	E1	—	31/32	7/16	1 1/16	15/16	0.9
2-3V235-JA	2.35	2.30	1 1/4	JA	E1	—	31/32	7/16	1 1/16	15/16	1.0
2-3V250-JA	2.50	2.45	1 1/4	JA	E1	—	31/32	7/16	1 1/16	15/16	1.2
2-3V265-JA	2.65	2.60	1 1/4	JA	D1	—	3/8	1/8	1 1/16	13/32	1.3
2-3V280-JA	2.80	2.75	1 1/4	JA	D1	—	3/8	1/8	1 1/16	13/32	1.4
2-3V300-JA	3.00	2.95	1 1/4	JA	D1	—	3/8	1/8	1 1/16	13/32	1.6
2-3V315-JA	3.15	3.10	1 1/4	JA	D1	—	3/8	1/8	1 1/16	13/32	1.8
2-3V335-SH	3.35	3.30	1 11/16	SH	D1	—	1/4	1/4	15/16	1/32	2.0
2-3V365-SH	3.65	3.60	1 11/16	SH	D1	—	1/4	1/4	15/16	1/32	2.4
2-3V412-SH	4.12	4.07	1 11/16	SH	D1	—	1/4	1/4	15/16	1/32	2.7
2-3C450-SH	4.50	4.45	1 11/16	SH	D1	—	1/4	1/4	15/16	1/32	2.9
2-3V475-SH	4.75	4.70	1 11/16	SH	D1	—	1/4	1/4	15/16	1/32	3.1
2-3V500-SH	5.00	4.95	1 11/16	SH	D1	—	1/4	1/4	15/16	1/32	3.6
2-3V530-SH	5.30	5.25	1 11/16	SH	D1	—	1/4	1/4	15/16	1/32	4.5
2-3V560-SH	5.60	5.55	1 11/16	SH	D1	—	1/4	1/4	15/16	1/32	5.0
2-3V600-SH	6.00	5.95	1 11/16	SH	D1	—	1/4	1/4	15/16	1/32	5.5
2-3V650-SDS	6.50	6.45	2	SDS	D3	3 1/2	5/16	5/16	1 3/8	1/32	5.8
2-3V690-SDS	6.90	6.85	2	SDS	D3	3 1/2	5/16	5/16	1 3/8	1/32	6.0
2-3V800-SDS	8.00	7.95	2	SDS	D3	3 1/2	5/16	5/16	1 3/8	1/32	7.0
2-3V1060-SK	10.60	10.55	2 5/8	SK	C3	4 3/8	7/16	1/4	1 15/16	13/32	10
2-3V1400-SK	14.00	13.95	2 5/8	SK	C3	4 3/8	7/16	1/4	1 15/16	13/32	16
2-3V1900-SK	19.00	18.95	2 5/8	SK	C3	4 3/8	7/16	1/4	1 15/16	13/32	25
2-3V2500-SF	25.00	24.95	2 15/16	SF	C3	5	7/16	1/4	2 1/16	17/32	28

**T<sub>aper</sub>  
B<sub>ore</sub> V-pulleys**

**3V-5V-8V**

**Cast Iron Sheaves**

**QTL**



**3V-3**

**F = 1 1/2" (38.10mm)**

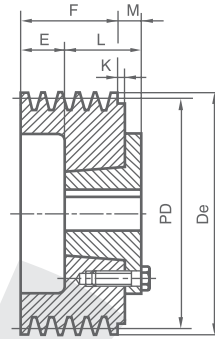
SHEAVE	De	Dp	Bush Max Bore	Bush	Type	Db	E	K	L	M	WT Less Bush
3-3V250-JA	2.50	2.45	1 1/4	JA	E1	2 3/8	1 3/8	7/16	1 1/16	15/16	1.6
3-3V265-JA	2.65	2.60	1 1/4	JA	D1	—	3/8	1/8	1 1/16	13/16	1.8
3-3V280-JA	2.80	2.75	1 1/4	JA	D1	—	3/8	1/8	1 1/16	13/16	2.0
3-3V300-JA	3.00	2.95	1 1/16	JA	E1	—	1 1/16	—	1 15/16	9/16	2.2
3-3V315-SH	3.15	3.10	1 1/16	SH	E1	3	1 1/16	5/16	1 5/16	7/8	2.5
3-3V335-SH	3.35	3.30	1 1/16	SH	D1	—	7/16	1/8	1 5/16	5/8	2.8
3-3V365-SH	3.65	3.60	1 1/16	SH	D1	—	7/16	1/8	1 5/16	5/8	3.0
3-3V412-SH	4.12	4.07	1 1/16	SH	A1	—	1/8	1 1/16	1 5/16	1/16	3.3
3-3C450-SDS	4.50	4.45	2	SDS	A1	—	1/16	1 1/16	1 3/8	1/16	3.5
3-3V475-SDS	4.75	4.70	2	SDS	A1	—	1/16	1 1/16	1 3/8	1/16	3.7
3-3V500-SDS	5.00	4.95	2	SDS	A1	—	1/16	1 1/16	1 3/8	1/16	4.0
3-3V530-SDS	5.30	5.25	2	SDS	A1	—	1/16	1 1/16	1 3/8	1/16	4.3
3-3V560-SDS	5.60	5.55	2	SDS	A1	—	1/16	1 1/16	1 3/8	1/16	4.9
3-3V600-SDS	6.00	5.95	2	SDS	A1	—	1/16	1 1/16	1 3/8	1/16	5.9
3-3V650-SDS	6.50	6.45	2	SDS	A3	3 1/2	1/16	1 1/16	1 3/8	1/16	6.3
3-3V690-SDS	6.90	6.85	2	SDS	A3	3 1/2	1/16	1 1/16	1 3/8	1/16	6.8
3-3V800-SK	8.00	7.95	2 5/8	SK	C2	4 3/8	7/16	1/4	1 15/16	—	10.8
3-3V1060-SK	10.60	10.55	2 5/8	SK	C3	4 3/8	7/16	1/4	1 15/16	—	12.0
3-3V1400-SK	14.00	13.95	2 5/8	SK	C3	4 3/8	7/16	1/4	1 15/16	—	20.0
3-3V1900-SF	19.00	18.95	2 15/16	SF	C3	5	7/16	1/4	2 1/16	1/8	33.0
3-3V2500-SF	25.00	24.95	2 15/16	SF	C3	5	7/16	1/4	2 1/16	1/8	45.0
3-3V3350-SF	33.50	33.45	2 15/16	SF	C3	5	7/16	1/4	2 1/16	1/8	75.0

**Taper Bore V-pulleys**

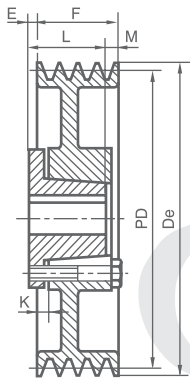
**3V-5V-8V**

**Cast Iron Sheaves**

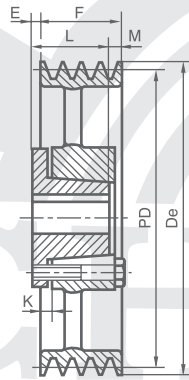
**QTL**



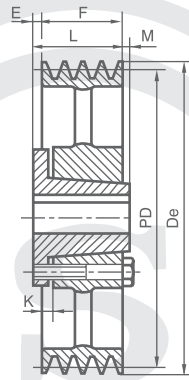
E-1



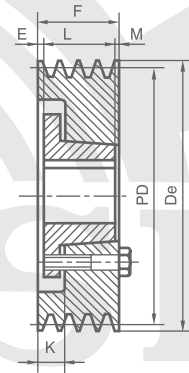
D-2



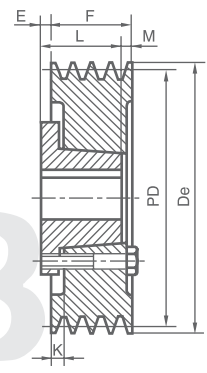
D-3



C-3



A-1



D-1

**3V-4**

**F = 1 29/32" (48.42mm)**

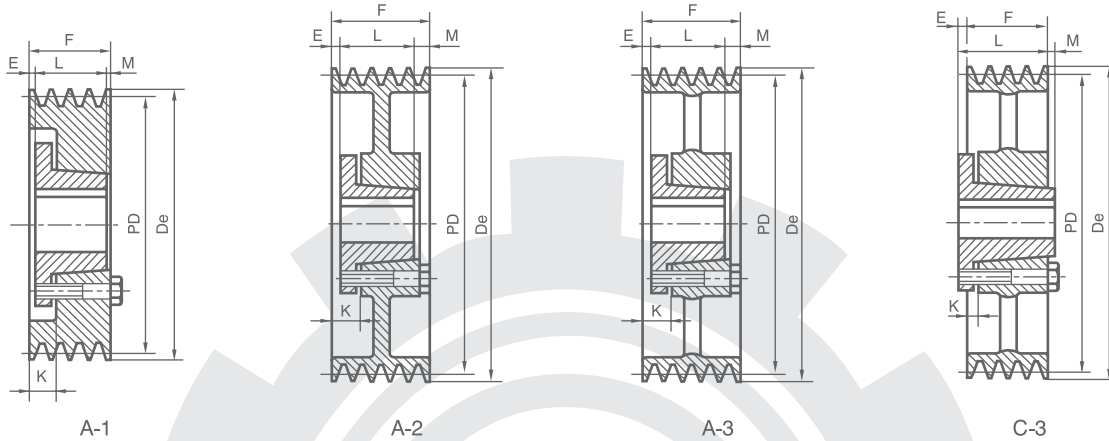
SHEAVE	De	Dp	Bush Max Bore	Bush	Type	Db	E	K	L	M	WT Less Bush
4-3V265-JA	2.65	2.60	1 1/4	JA	D1	—	3/8	1/8	1 1/16	17/32	1.3
4-3V280-JA	2.80	2.75	1 1/4	JA	D1	—	3/8	1/8	1 1/16	17/32	1.6
4-3V300-SH	3.00	2.95	1 11/16	SH	E1	—	1 15/32	5/16	1 5/16	7/8	1.9
4-3V315-SH	3.15	3.10	1 11/16	SH	E1	3	1 15/32	5/16	1 5/16	7/8	2.2
4-3V335-SH	3.35	3.30	1 11/16	SH	D1	—	7/16	1/8	1 5/16	1 1/32	2.5
4-3V365-SH	3.65	3.60	1 11/16	SH	D1	—	7/16	1/8	1 5/16	1 1/32	2.8
4-3V412-SH	4.12	4.07	1 11/16	SH	A1	—	1/4	13/16	1 5/16	1 1/32	3.2
4-3C450-SDS	4.50	4.45	2	SDS	A1	—	3/16	13/16	1 3/8	1 1/32	3.5
4-3V475-SDS	4.75	4.70	2	SDS	A1	—	3/16	13/16	1 3/8	1 1/32	4.0
4-3V500-SDS	5.00	4.95	2	SDS	A1	—	3/16	13/16	1 3/8	1 1/32	4.5
4-3V530-SDS	5.30	5.25	2	SDS	A1	—	3/16	13/16	1 3/8	1 1/32	5.0
4-3V560-SDS	5.60	5.55	2	SDS	A1	—	3/16	13/16	1 3/8	1 1/32	5.7
4-3V600-SK	6.00	5.95	2 5/8	SK	D1	—	1/16	5/8	1 15/16	1/32	7.5
4-3V650-SK	6.50	6.45	2 5/8	SK	D2	—	1/16	5/8	1 15/16	1/32	8.0
4-3V690-SK	6.90	6.85	2 5/8	SK	D2	—	1/16	5/8	1 15/16	1/32	10
4-3V800-SK	8.00	7.95	2 5/8	SK	D2	4 3/8	1/16	5/8	1 15/16	1/32	12
4-3V1060-SK	10.60	10.55	2 5/8	SK	D3	4 3/8	1/16	5/8	1 15/16	1/32	16
4-3V1400-SK	14.00	13.95	2 5/8	SK	D3	4 3/8	1/16	5/8	1 15/16	1/32	22
4-3V1900-SF	19.00	18.95	2 15/16	SF	C3	5	1/16	5/8	2 1/16	3/32	37
4-3V2500-SF	25.00	24.95	2 15/16	SF	C3	5	1/16	5/8	2 1/16	3/32	53
4-3V-3350-E	33.50	33.45	3 1/2	E	C3	6 1/4	3/8	1/2	2 5/8	1 1/32	80

**Taper  
Bore V-pulleys**

**3V-5V-8V**

**Cast Iron Sheaves**

**QTL**



**3V-5**

**F = 2 5/16" (58.74mm)**

SHEAVE	De	Dp	Bush Max Bore	Bush	Type	Db	E	K	L	M	WT Less Bush
5-3V475-SDS	4.75	4.70	2	SDS	A2	31/2	3/16	13/16	13/8	3/4	4.5
5-3V500-SDS	5.00	4.95	2	SDS	A2	31/2	3/16	13/16	13/8	3/4	5.3
5-3V530-SK	5.30	5.25	25/8	SK	A1	—	1/4	15/16	115/16	1/8	5.8
5-3V560-SK	5.60	5.55	25/8	SK	A1	—	1/4	15/16	115/16	1/8	7.0
5-3V600-SK	6.00	5.95	25/8	SK	A1	—	1/4	15/16	115/16	1/8	8.3
5-3V650-SK	6.50	6.45	25/8	SK	A1	—	1/4	15/16	115/16	1/8	9.0
5-3V690-SK	6.90	6.85	25/8	SK	A1	—	1/4	15/16	115/16	1/8	12.0
5-3V800-SK	8.00	7.95	25/8	SK	A2	43/8	1/4	15/16	115/16	1/8	13.0
5-3V1060-SK	10.60	10.55	25/8	SK	A3	43/8	1/4	15/16	115/16	1/8	17.0
5-3V1400-SF	14.00	13.95	215/16	SF	A3	5	3/16	7/8	21/16	1/16	27.0
5-3V1900-SF	19.00	18.95	215/16	SF	A3	5	3/16	7/8	21/16	1/16	40.0
5-3V2500-SE	25.00	24.95	31/2	E	C3	61/4	1/4	5/8	25/8	1/16	69.0
5-3V3350-E	33.50	33.45	31/2	E	C3	61/4	1/4	5/8	25/8	1/16	97.0

**Bore Range**

QTL BUSH	Bore	
	Min	Max
JA	1/2	1 1/4
SH	1/2	15/16
SD	1/2	2
SK	1/2	25/8
SF	1/2	215/16
E	7/8	31/2



**Standard Keyseats**

Bore Range	Keyseat
15/16"-11/4"	1/4"x1/8"
15/16-13/8	5/16x5/32
17/16-13/4	3/8x3/16
113/16-21/4	1/2x1/4
25/16-23/4	5/8x5/16
213/16-31/4	3/4x3/8
33/8-33/4	7/8x7/16

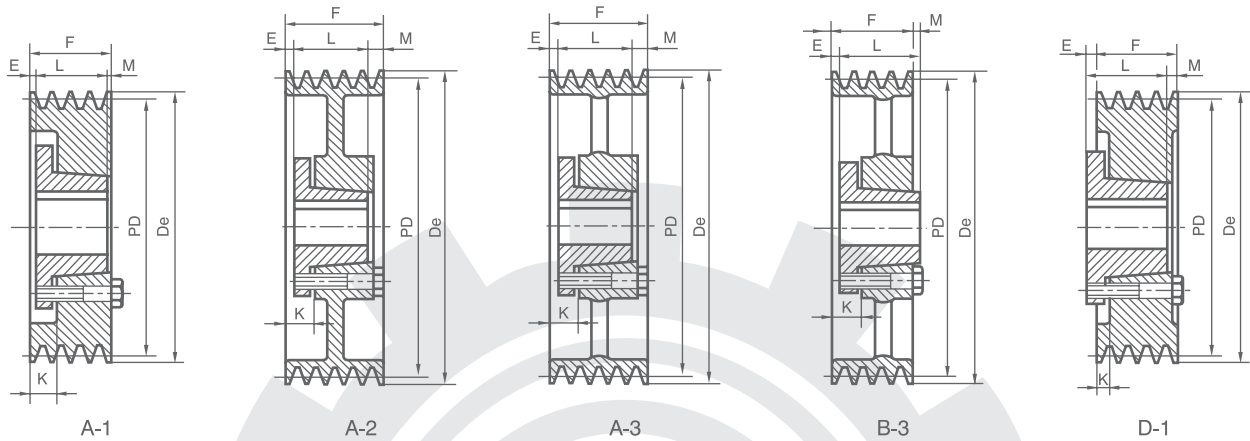
1 3/8" Bore Bushings also available with 3/8"x3/16" Keyseat.

**T<sub>aper</sub>  
B<sub>ore</sub> V-pulleys**

**3V-5V-8V**

**Cast Iron Sheaves**

**QTL**



**3V-6**

**F=2 23/32" (69.06mm)**

SHEAVE	De	Dp	Bush Max Bore	Bush	Type	Db	E	K	L	M	WT Less Bush
6-3V475-SK	4.75	4.70	2	SK	D1	—	9/16	1/8	1 15/16	1 11/32	6.0
6-3V500-SK	5.00	4.95	2	SK	D1	—	9/16	1/8	1 15/16	1 11/32	6.5
6-3V530-SK	5.30	5.25	2 5/8	SK	A1	—	5/8	15/16	1 15/16	5/32	6.8
6-3V560-SK	5.60	5.55	2 5/8	SK	A1	—	5/8	15/16	1 15/16	5/32	8.0
6-3V600-SK	6.00	5.95	2 5/8	SK	A1	—	5/8	15/16	1 15/16	5/32	9.0
6-3V650-SK	6.50	6.45	2 5/8	SK	A2	43/8	5/8	15/16	1 15/16	5/32	10.0
6-3V690-SK	6.90	6.85	2 5/8	SK	A2	43/8	5/8	15/16	1 15/16	5/32	11.5
6-3V800-SK	8.00	7.95	2 5/8	SK	A2	43/8	3/16	7/8	1 15/16	19/32	17.0
6-3V1060-SF	10.60	10.55	2 5/8	SF	A2	5	3/16	7/8	2 1/16	15/32	25.0
6-3V1400-SF	14.00	13.95	2 15/16	SF	A3	5	3/16	7/8	2 1/16	15/32	34.0
6-3V1900-E	19.00	18.95	2 15/16	E	B3	6 1/4	1/8	1	2 5/8	1/32	45.0
6-3V2500-E	25.00	24.95	3 1/2	E	B3	6 1/4	1/8	1	2 5/8	1/32	75.0
6-3V3350-E	33.50	33.45	3 1/2	E	B3	6 1/4	1/8	1	2 5/8	1/32	98.0

**3V-8**

**F=3 17/32" (89.70mm)**

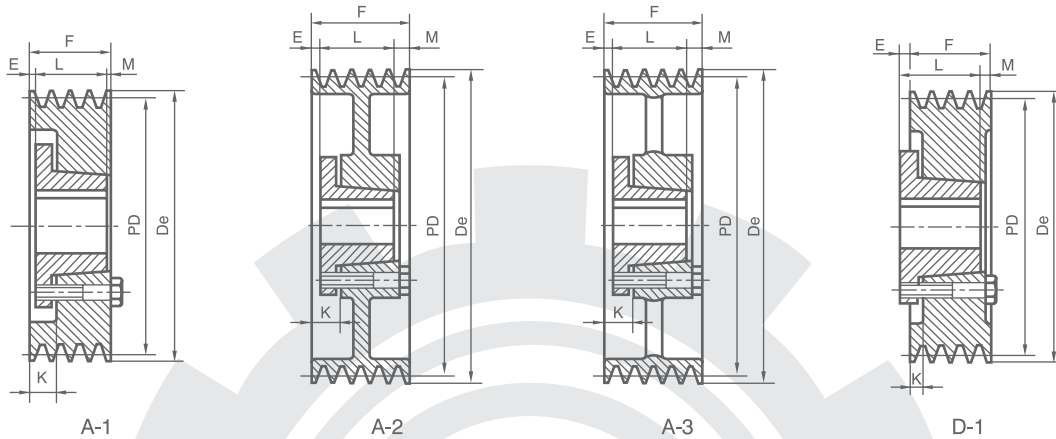
SHEAVE	De	Dp	Bush Max Bore	Bush	Type	Db	E	K	L	M	WT Less Bush
8-3V475-SK	4.75	4.70	2 5/8	SK	D1	—	9/16	1/8	1 15/16	25/32	6.0
8-3V500-SK	5.00	4.95	2 5/8	SK	D1	—	9/16	1/8	1 15/16	25/32	6.9
8-3V530-SK	5.30	5.25	2 5/8	SK	A1	—	5/8	15/16	1 15/16	31/32	7.8
8-3V560-SK	5.60	5.55	2 5/8	SK	A1	—	5/8	15/16	1 15/16	31/32	9.0
8-3V600-SK	6.00	5.95	2 5/8	SK	A1	—	5/8	15/16	1 15/16	31/32	10.0
8-3V650-SK	6.50	6.45	2 5/8	SK	A2	43/8	5/8	15/16	1 15/16	31/32	12.9
8-3V690-SK	6.90	6.85	2 5/8	SK	A2	43/8	5/8	15/16	1 15/16	31/32	14.0
8-3V800-SF	8.00	7.95	2 15/16	SF	A1	—	7/16	1 1/8	2 1/16	1 1/32	20.0
8-3V1060-SF	10.60	10.55	2 15/16	SF	A2	5	7/16	1 1/8	2 1/16	1 1/32	28.0
8-3V1400-E	14.00	13.95	3 1/2	E	A3	6 1/4	3/8	1 1/4	2 5/8	17/32	40.0
8-3V1900-E	19.00	18.95	3 1/2	E	A3	6 1/4	3/8	1 1/4	2 5/8	17/32	62.0
8-3V2500-E	25.00	24.95	3 1/2	E	A3	6 1/4	3/8	1 1/4	2 5/8	17/32	87.0
8-3V3350-F	33.50	33.45	3 15/16	F	B3	7	1/16	1 1/16	3 5/8	5/32	152

**Taper Bore V-pulleys**

**3V-5V-8V**

**Cast Iron Sheaves**

**QTL**



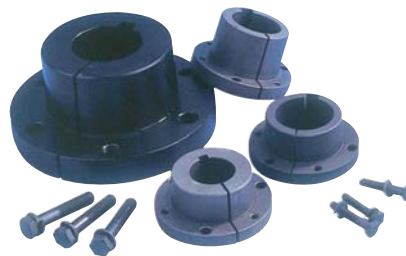
**3V-10**

**F=4 11/32"(110.33mm)**

SHEAVE	De	Dp	Bush Max Bore	Bush	Type	Db	E	K	L	M	WT Less Bush
10-3V475-SK	4.75	4.70	25/8	SK	D1	—	9/16	1/8	1 15/16	2 31/32	7.0
10-3V500-SK	5.00	4.95	25/8	SK	D1	—	9/16	1/8	1 15/16	2 31/32	8.6
10-3V530-SK	5.30	5.25	25/8	SK	A1	—	3/4	17/16	1 15/16	1 21/32	9.0
10-3V560-SK	5.60	5.55	25/8	SK	A1	—	3/4	17/16	1 15/16	1 21/32	10
10-3V600-SK	6.00	5.95	25/8	SK	A1	—	3/4	17/16	1 15/16	1 21/32	11
10-3V650-SK	6.50	6.45	25/8	SK	A2	43/8	3/4	17/16	1 15/16	1 21/32	14
10-3V690-SK	6.90	6.85	25/8	SK	A2	43/8	3/4	17/16	1 15/16	1 21/32	16
10-3V800-SF	8.00	7.95	2 15/16	SF	A1	—	13/16	1 1/2	2 1/16	1 15/32	22
10-3V1060-E	10.60	10.55	3 1/2	E	A2	6 1/4	3/8	1 1/4	25/8	1 11/32	33
10-3V1400-E	14.00	13.95	3 1/2	E	A3	6 1/4	3/8	1 1/4	25/8	1 11/32	43
10-3V1900-E	19.00	18.95	3 1/2	E	A3	6 1/4	3/8	1 1/4	25/8	1 11/32	66
10-3V2500-F	25.00	24.95	3 15/16	F	A3	7	5/16	15/16	35/8	13/32	98
10-3V3350-F	33.50	33.45	3 15/16	F	A3	7	5/16	15/16	35/8	13/32	178

**Bore Range**

QTL BUSH	Bore	
	Min	Max
JA	1/2	1 1/4
SH	1/2	1 5/16
SD	1/2	2
SK	1/2	2 5/8
SF	1/2	2 15/16
E	7/8	3 1/2



**Standard Keyseats**

Bore Range	Keyseat
15/16"-11/4"	1/4"x1/8"
15/16"-13/8"	5/16x5/32
17/16"-13/4"	3/8x3/16
1 13/16"-2 1/4"	1/2x1/4
25/16"-2 3/4"	5/8x5/16
2 13/16"-3 1/4"	3/4x3/8
33/8"-3 3/4"	7/8x7/16

1 3/8" Bore Bushings also available with 3/8"x3/16" Keyseat.

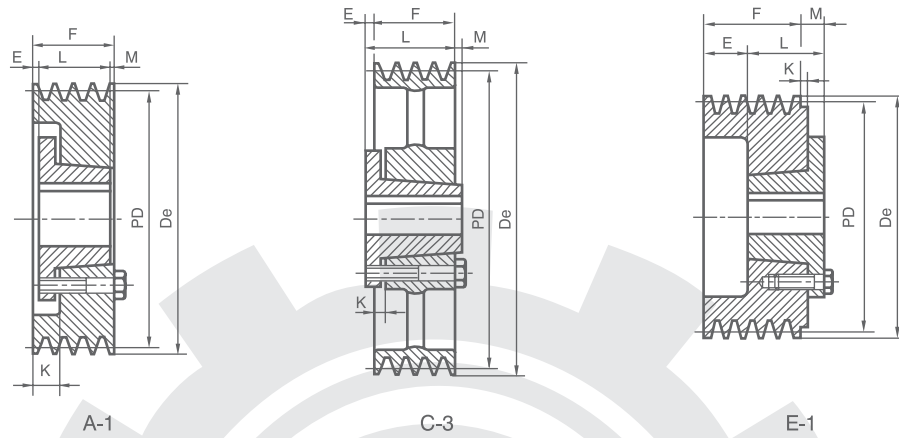


**T<sub>aper</sub>  
B<sub>ore</sub> V-pulleys**

**3V-5V-8V**

**Cast Iron Sheaves**

**QTL**



**5V-2**

**F = 1 11/16" (42.86mm)**

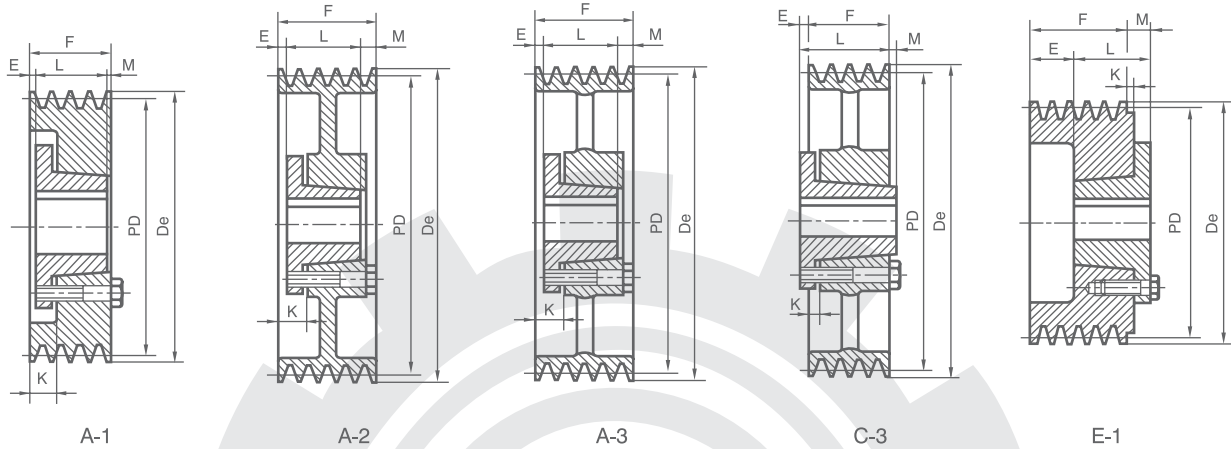
SHEAVE	De	Dp	Bush Max Bore	Bush	Type	Db	E	K	L	M	WT Less Bush
2-5V440-SH	4.40	4.30	1 11/16	SH	A1	—	5/16	7/8	15/16	1/16	4.0
2-5V465-SDS	4.65	4.55	2	SDS	E1	—	15/16	—	13/8	5/8	4.5
2-5V490-SDS	4.90	4.80	2	SDS	A1	—	1/16	11/16	13/8	1/4	5.0
2-5V520-SDS	5.20	5.10	2	SDS	A1	—	1/16	11/16	13/8	1/4	5.5
2-5V550-SDS	5.50	5.40	2	SDS	A1	—	1/16	11/16	13/8	1/4	6.0
2-5V590-SDS	5.90	5.80	2	SDS	A1	—	1/16	11/16	13/8	1/4	7.0
2-5V630-SK	6.30	6.20	25/8	SK	C1	—	1/4	7/16	115/16	—	8.0
2-5V670-SK	6.70	6.60	25/8	SK	C1	—	1/4	7/16	115/16	—	10
2-5V710-SK	7.10	7.00	25/8	SK	C1	—	1/4	7/16	115/16	—	11
2-5V750-SK	7.50	7.40	25/8	SK	C1	—	1/4	7/16	115/16	—	13
2-5V850-SK	8.00	7.90	25/8	SK	C1	—	1/4	7/16	115/16	—	14
2-5V850-SK	8.50	8.40	25/8	SK	C1	—	1/4	7/16	115/16	—	15
2-5V900-SK	9.00	8.90	25/8	SK	C2	43/8	1/4	7/16	115/16	—	16
2-5V925-SK	9.25	9.15	25/8	SK	C2	43/8	1/4	7/16	115/16	—	16
2-5V975-SK	9.75	9.65	25/8	SK	C3	43/8	1/4	7/16	115/16	—	17
2-5V1030-SK	10.30	10.20	25/8	SK	C3	43/8	1/4	7/16	115/16	—	18
2-5V1090-SK	10.90	10.80	25/8	SK	C3	43/8	1/4	7/16	115/16	—	19
2-5V1130-SK	11.30	11.20	25/8	SK	C3	43/8	1/4	7/16	115/16	—	19
2-5V1180-SK	11.80	11.70	25/8	SK	C3	43/8	1/4	7/16	115/16	—	20
2-5V1250-SF	12.50	12.40	215/16	SF	C3	5	1/4	7/16	21/16	1/8	25
2-5V1320-SF	13.20	13.10	215/16	SF	C3	5	1/4	7/16	21/16	1/8	27
2-5V1400-SF	14.00	13.90	215/16	SF	C3	5	1/4	7/16	21/16	1/8	28
2-5V1500-SF	15.00	14.90	215/16	SF	C3	5	1/4	7/16	21/16	1/8	30
2-5V1600-SF	16.00	15.90	215/16	SF	C3	5	1/4	7/16	21/16	1/8	34
2-5V1870-SF	18.70	18.60	215/16	SF	C3	5	1/4	7/16	21/16	1/8	49
2-5V2120-SF	21.20	20.10	215/16	SF	C3	5	1/4	7/16	21/16	1/8	50
2-5V2360-E	23.60	23.50	31/2	E	C3	61/4	5/8	1/4	25/8	5/16	72
2-5V2800-E	28.00	27.90	31/2	E	C3	61/4	5/8	1/4	25/8	5/16	80

**T<sub>aper</sub>  
B<sub>ore</sub> V-pulleys**

**3V-5V-8V**

**Cast Iron Sheaves**

**QTL**



**5V-3**

**F = 2 3/8" (60.33mm)**

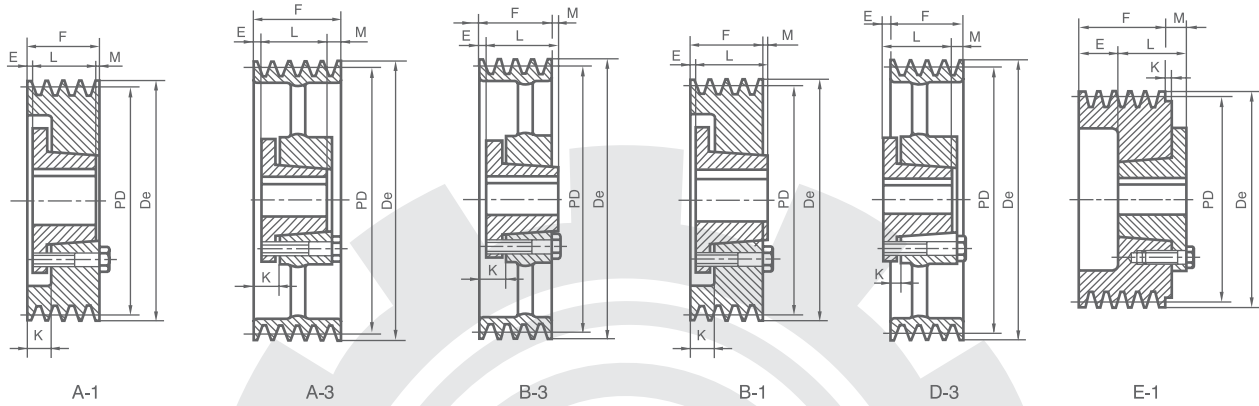
SHEAVE	De	Dp	Bush Max Bore	Bush	Type	Db	E	K	L	M	WT Less Bush
3-5V440-SDS	4.40	4.30	2	SDS	E1	3 1/2	1 5/8	-	1 3/8	5/8	5.5
3-5V465-SDS	4.65	4.55	2	SDS	E1	3 1/2	1 5/8	-	1 3/8	5/8	6.5
3-5V490-SDS	4.90	4.80	2	SDS	A1	—	7/16	1 1/16	1 3/8	9/16	7.0
3-5V520-SDS	5.20	5.10	2	SDS	A1	—	7/16	1 1/16	1 3/8	9/16	7.5
3-5V550-SDS	5.50	5.40	2	SDS	A1	—	7/16	1 1/16	1 3/8	9/16	8.0
3-5V590-SDS	5.90	5.80	2	SDS	A1	—	7/16	1 1/16	1 3/8	9/16	8.5
3-5V630-SK	6.30	6.20	2 5/8	SK	A1	—	3/8	1 1/16	1 15/16	1/16	11.0
3-5V670-SK	6.70	6.60	2 5/8	SK	A1	—	3/8	1 1/16	1 15/16	1/16	11.5
3-5V710-SF	7.10	7.00	2 15/16	SF	A1	—	5/16	1	2 1/16	—	13.0
3-5V750-SF	7.50	7.40	2 15/16	SF	A1	—	5/16	1	2 1/16	—	14.0
3-5V800-SF	8.00	7.90	2 15/16	SF	A1	—	5/16	1	2 1/16	—	15.0
3-5V850-SF	8.50	8.40	2 15/16	SF	A2	5	5/16	1	2 1/16	—	16.0
3-5V900-SF	9.00	8.90	2 15/16	SF	A2	5	5/16	1	2 1/16	—	17.0
3-5V925-SF	9.25	9.15	2 15/16	SF	A2	5	5/16	1	2 1/16	—	18.0
3-5V975-SF	9.75	9.65	2 15/16	SF	A2	5	5/16	1	2 1/16	—	19.0
3-5V1030-SF	10.30	10.20	2 15/16	SF	A2	5	5/16	1	2 1/16	—	22.0
3-5V1090-SF	10.90	10.80	2 15/16	SF	A2	5	5/16	1	2 1/16	—	25.0
3-5V1130-SF	11.30	11.20	2 15/16	SF	A3	5	5/16	1	2 1/16	—	26.0
3-5V1180-SF	11.80	11.70	2 15/16	SF	A3	5	5/16	1	2 1/16	—	28.0
3-5V1250-E	12.50	12.40	3 1/2	E	C3	6 1/4	1/8	3/4	2 5/8	1/8	34.0
3-5V1320-E	13.20	13.10	3 1/2	E	C3	6 1/4	1/8	3/4	2 5/8	1/8	38.0
3-5V1400-E	14.00	13.90	3 1/2	E	C3	6 1/4	1/8	3/4	2 5/8	1/8	43.0
3-5V1500-E	15.00	14.90	3 1/2	E	C3	6 1/4	1/8	3/4	2 5/8	1/8	44.0
3-5V1600-E	16.00	15.90	3 1/2	E	C3	6 1/4	1/8	3/4	2 5/8	1/8	46.0
3-5V1870-E	18.70	18.60	3 1/2	E	C3	6 1/4	1/8	3/4	2 5/8	1/8	60.0
3-5V2120-E	21.20	21.10	3 1/2	E	C3	6 1/4	1/8	3/4	2 5/8	1/8	68.0
3-5V2360-E	23.60	23.50	3 1/2	E	C3	6 1/4	1/8	3/4	2 5/8	1/8	80.0
3-5V2800-E	28.00	27.90	3 1/2	E	C3	6 1/4	1/8	3/4	2 5/8	1/8	92.0
3-5V3150-F	31.50	31.40	3 15/16	F	C3	7	7/16	9/16	3 5/8	13/16	136
3-5V3750-F	37.50	37.40	3 15/16	F	C3	7	7/16	9/16	3 5/8	13/16	156
3-5V5000-F	50.00	49.90	3 15/16	F	C3	7	7/16	9/16	3 5/8	13/16	210

**T<sub>aper</sub>  
B<sub>ore</sub> V-pulleys**

**3V-5V-8V**

**Cast Iron Sheaves**

**QTL**



**5V-4**

**F=3 1/16"(77.79mm)**

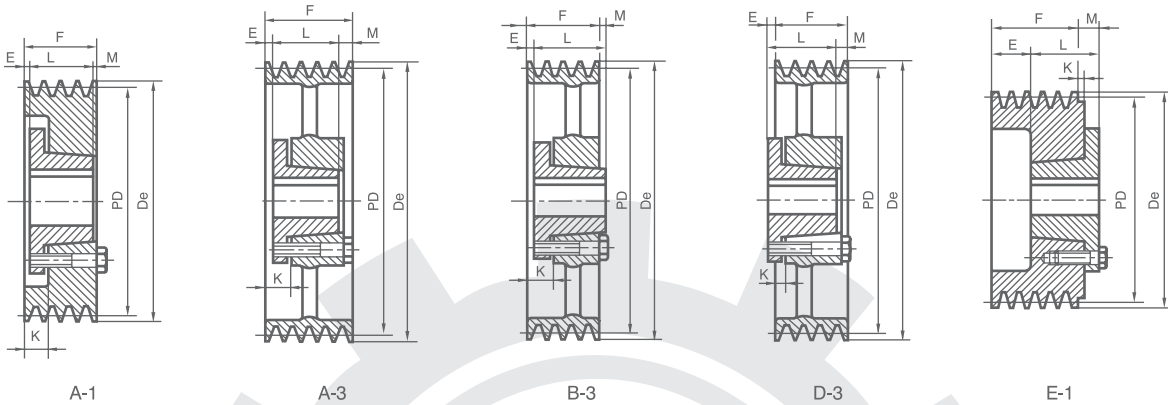
SHEAVE	De	Dp	Bush Max Bore	Bush	Type	Db	E	K	L	M	WT Less Bush
4-5V440-SD	4.40	4.30	2	SD	E1	3 1/2	1 7/8	—	1 13/16	5/8	5.0
4-5V465-SD	4.65	4.55	2	SD	E1	3 1/2	1 7/8	—	1 13/16	5/8	6.0
4-5V490-SD	4.90	4.80	2	SD	A1	—	1 11/16	1 5/16	1 13/16	9/16	7.0
4-5V520-SD	5.20	5.10	2	SD	A1	—	1 11/16	1 5/16	1 13/16	9/16	8.0
4-5V550-SD	5.50	5.40	2	SD	A1	—	1 11/16	1 5/16	1 13/16	9/16	9.0
4-5V590-SD	5.90	5.80	2	SD	A1	—	1 11/16	1 5/16	1 13/16	9/16	10.8
4-5V630-SK	6.30	6.20	2 5/8	SK	A1	—	5/8	1 5/16	1 15/16	1/2	12.0
4-5V670-SK	6.70	6.60	2 5/8	SK	A1	—	5/8	1 5/16	1 15/16	1/2	14.0
4-5V710-SF	7.10	7.00	2 15/16	SF	A1	—	3/8	1 1/16	2 1/16	5/8	15.0
4-5V750-SF	7.50	7.40	2 15/16	SF	A1	—	3/8	1 1/16	2 1/16	5/8	16.0
4-5V800-E	8.00	7.90	3 1/2	E	B1	—	9/16	1 7/16	2 5/8	1/8	19.0
4-5V850-E	8.50	8.40	3 1/2	E	B1	—	9/16	1 7/16	2 5/8	1/8	23.0
4-5V900-E	9.00	8.90	3 1/2	E	B1	—	9/16	1 7/16	2 5/8	1/8	25.0
4-5V925-E	9.25	9.15	3 1/2	E	B1	—	9/16	1 7/16	2 5/8	1/8	26.0
4-5V975-E	9.75	9.65	3 1/2	E	B1	—	9/16	1 7/16	2 5/8	1/8	28.0
4-5V1030-E	10.30	10.20	3 1/2	E	B1	—	9/16	1 7/16	2 5/8	1/8	30.0
4-5V1090-E	10.90	10.80	3 1/2	E	B1	—	9/16	1 7/16	2 5/8	1/8	39.0
4-5V1130-E	11.30	11.20	3 1/2	E	B1	—	9/16	1 7/16	2 5/8	1/8	40.0
4-5V1180-E	11.80	11.70	3 1/2	E	B1	—	9/16	1 7/16	2 5/8	1/8	41.0
4-5V1250-E	12.50	12.40	3 1/2	E	B3	6 1/4	9/16	1 7/16	2 5/8	1/8	43.0
4-5V1320-E	13.20	13.10	3 1/2	E	B3	6 1/4	9/16	1 7/16	2 5/8	1/8	45.0
4-5V1400-E	14.00	13.90	3 1/2	E	B3	6 1/4	9/16	1 7/16	2 5/8	1/8	46.0
4-5V1500-E	15.00	14.90	3 1/2	E	B3	6 1/4	9/16	1 7/16	2 5/8	1/8	47.0
4-5V1600-E	16.00	15.90	3 1/2	E	B3	6 1/4	9/16	1 7/16	2 5/8	1/8	49.0
4-5V1870-E	18.70	18.60	3 1/2	E	A3	6 1/4	3/8	1 1/4	2 5/8	1/16	71.0
4-5V2120-E	20.20	21.10	3 1/2	E	A3	6 1/4	3/8	1 1/4	2 5/8	1/16	72.0
4-5V2360-F	23.60	23.50	3 15/16	F	C3	7	1/8	7/8	3 5/8	7/16	111
4-5V2800-F	28.00	27.90	3 15/16	F	C3	7	1/8	7/8	3 5/8	7/16	118
4-5V3150-F	31.50	31.40	3 15/16	F	C3	7	1/8	7/8	3 5/8	7/16	147
4-5V3750-F	37.50	37.40	3 15/16	F	C3	7	1/8	7/8	3 5/8	7/16	178
4-5V5000-J	50.00	49.90	4 1/2	J	C3	7 3/4	1/2	1 11/16	4 1/2	15/16	266

**T<sub>aper</sub>  
B<sub>ore</sub> V-pulleys**

**3V-5V-8V**

**Cast Iron Sheaves**

**QTL**



**5V-5**

**F=3 3/4"(95.25mm)**

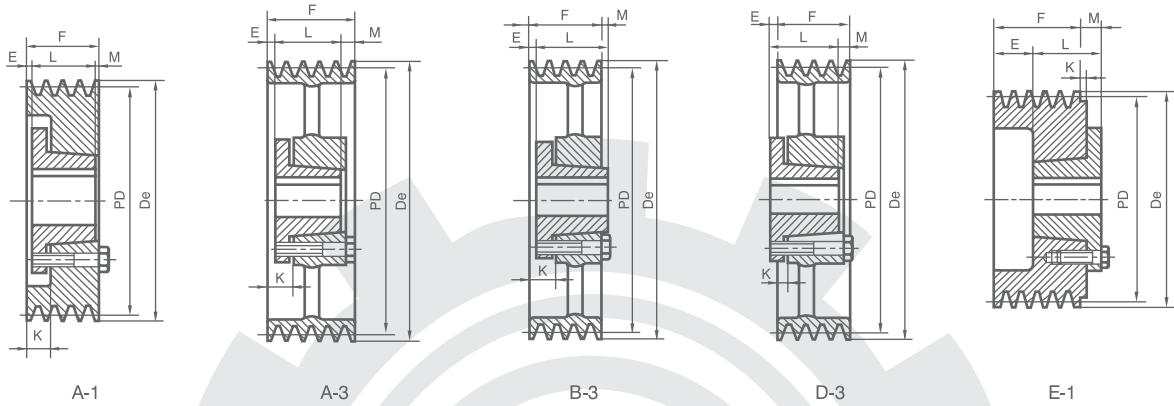
SHEAVE	De	Dp	Bush Max Bore	Bush	Type	Db	E	K	L	M	WT Less Bush
5-5V440-SD	4.40	4.30	2	SD	E1	3 1/2	29/16	—	1 13/16	5/8	6.0
5-5V465-SD	4.65	4.55	2	SD	E1	3 1/2	29/16	—	1 13/16	5/8	7.0
5-5V490-SD	4.90	4.80	2	SD	A1	—	11/16	15/16	1 13/16	1 1/4	8.0
5-5V520-SD	5.20	5.10	2	SD	A1	—	11/16	15/16	1 13/16	1 1/4	9.0
5-5V550-SD	5.50	5.40	2	SD	A1	—	11/16	15/16	1 13/16	1 1/4	10
5-5V590-SK	5.90	5.80	2	SK	A1	—	5/8	15/16	1 15/16	13/16	11
5-5V630-SK	6.30	6.20	25/8	SK	A1	—	5/8	15/16	1 15/16	13/16	12
5-5V670-SF	6.70	6.60	25/8	SF	A1	—	5/8	15/16	2 1/16	1 1/16	16
5-5V710-SF	7.10	7.00	2 15/16	SF	A1	—	11/16	1 3/8	2 1/16	1	14
5-5V750-SF	7.50	7.40	2 15/16	SF	A1	—	11/16	1 3/8	2 1/16	1	13
5-5V800-E	8.00	7.90	3 1/2	E	A1	—	7/8	1 3/4	2 5/8	1/4	19
5-5V850-E	8.50	8.40	3 1/2	E	A1	—	7/8	1 3/4	2 5/8	1/4	22
5-5V900-E	9.00	8.90	3 1/2	E	A1	—	7/8	1 3/4	2 5/8	1/4	26
5-5V925-E	9.25	9.15	3 1/2	E	A1	—	7/8	1 3/4	2 5/8	1/4	28
5-5V975-E	9.75	9.65	3 1/2	E	A1	—	7/8	1 3/4	2 5/8	1/4	30
5-5V1030-E	10.30	10.20	3 1/2	E	A1	—	7/8	1 3/4	2 5/8	1/4	33
5-5V1090-E	10.90	10.80	3 1/2	E	A1	—	7/8	1 3/4	2 5/8	1/4	41
5-5V1130-E	11.30	11.20	3 1/2	E	A1	—	7/8	1 3/4	2 5/8	1/4	42
5-5V1180-E	11.80	11.70	3 1/2	E	A1	—	7/8	1 3/4	2 5/8	1/4	44
5-5V1250-E	12.50	12.40	3 1/2	E	A3	6 1/4	7/8	1 3/4	2 5/8	1/4	45
5-5V1320-E	13.20	13.10	3 1/2	E	A3	6 1/4	7/8	1 3/4	2 5/8	1/4	46
5-5V1400-E	14.00	13.90	3 1/2	E	A3	6 1/4	7/8	1 3/4	2 5/8	1/4	47
5-5V1500-E	15.00	14.90	3 1/2	E	A3	6 1/4	7/8	1 3/4	2 5/8	1/4	53
5-5V1600-E	16.00	15.90	3 1/2	E	A3	6 1/4	7/8	1 3/4	2 5/8	1/4	56
5-5V1870-F	18.70	18.60	3 1/2	F	B3	7	5/16	15/16	3 5/8	3/16	96
5-5V2120-F	21.20	21.10	3 1/2	F	B3	7	5/16	15/16	3 5/8	3/16	98
5-5V2360-F	23.60	23.50	3 15/16	F	B3	7	5/16	15/16	3 5/8	3/16	120
5-5V2800-F	28.00	27.90	3 15/16	F	B3	7	5/16	15/16	3 5/8	3/16	135
5-5V3150-J	31.50	31.40	3 15/16	J	C3	7 3/4	3/16	1	4 1/2	9/16	188
5-5V3750-J	37.50	37.40	3 15/16	J	C3	7 3/4	3/16	1	4 1/2	9/16	224
5-5V5000-J	50.00	49.90	4 1/2	J	C3	7 3/4	3/16	1	4 1/2	9/16	308

**T<sub>aper</sub>  
B<sub>ore</sub> V-pulleys**

**3V-5V-8V**

**Cast Iron Sheaves**

**QTL**



**5V-6**

**F = 4 7/16" (112.71mm)**

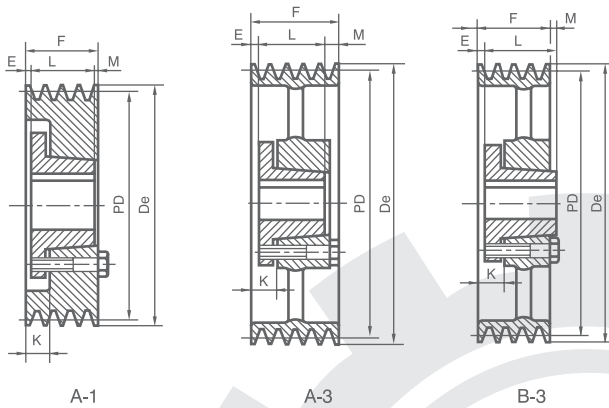
SHEAVE	De	Dp	Bush Max Bore	Bush	Type	Db	E	K	L	M	WT Less Bush
6-5V440-SD	4.40	4.30	2	SD	E1	3 1/2	3 1/4	-	1 13/16	5/8	7.0
6-5V465-SD	4.65	4.55	2	SD	E1	3 1/2	3 1/4	-	1 13/16	5/8	7.8
6-5V490-SD	4.90	4.80	2	SD	A1	—	1 11/16	1 5/16	1 13/16	1 15/16	9.0
6-5V520-SD	5.20	5.10	2	SD	A1	—	1 11/16	1 5/16	1 13/16	1 15/16	10.8
6-5V550-SD	5.50	5.40	2	SD	A1	—	1 11/16	1 5/16	1 13/16	1 15/16	11.3
6-5V590-SK	5.90	5.80	2 5/8	SK	A1	—	5/8	1 5/16	1 15/16	1 7/8	12.0
6-5V630-SK	6.30	6.20	2 5/8	SK	A1	—	5/8	1 5/16	1 15/16	1 7/8	13.0
6-5V670-SF	6.70	6.60	2 15/16	SF	A1	—	15/16	1 5/8	2 1/16	1 7/16	14.0
6-5V710-SF	7.10	7.00	2 15/16	SF	A1	—	15/16	1 5/8	2 1/16	1 7/16	15.0
6-5V750-SF	7.50	7.40	2 15/16	SF	A1	—	15/16	1 5/8	2 1/16	1 7/16	17.0
6-5V800-E	8.00	7.90	3 1/2	E	A1	—	1 1/8	2	2 5/8	1 1/16	20.0
6-5V850-E	8.50	8.40	3 1/2	E	A1	—	1 1/8	2	2 5/8	1 1/16	25.0
6-5V900-E	9.00	8.90	3 1/2	E	A1	—	1 1/8	2	2 5/8	1 1/16	28.0
6-5V925-E	9.25	9.15	3 1/2	E	A1	—	1 1/8	2	2 5/8	1 1/16	29.0
6-5V975-E	9.75	9.65	3 1/2	E	A1	—	1 1/8	2	2 5/8	1 1/16	31.0
6-5V1030-E	10.30	10.20	3 1/2	E	A1	—	1 1/8	2	2 5/8	1 1/16	33.0
6-5V1090-E	10.90	10.80	3 1/2	E	A1	—	1 1/8	2	2 5/8	1 1/16	38.0
6-5V1130-E	11.30	11.20	3 1/2	E	A1	—	1 1/8	2	2 5/8	1 1/16	41.0
6-5V1180-E	11.80	11.70	3 1/2	E	A1	—	1 1/8	2	2 5/8	1 1/16	43.0
6-5V1250-F	12.50	12.40	3 15/16	F	B3	7	1 11/16	2 1/16	3 5/8	1/4	45.0
6-5V1320-F	13.20	13.10	3 15/16	F	B3	7	1 11/16	2 1/16	3 5/8	1/4	48.0
6-5V1400-F	14.00	13.90	3 15/16	F	B3	7	1 11/16	2 1/16	3 5/8	1/4	59.0
6-5V1500-F	15.00	14.90	3 15/16	F	B3	7	1 11/16	2 1/16	3 5/8	1/4	64.0
6-5V1600-F	16.00	15.90	3 15/16	F	B3	7	1 11/16	2 1/16	3 5/8	1/4	68.0
6-5V1870-F	18.70	18.60	3 15/16	F	A3	7	5/16	1 5/16	3 5/8	1/2	84.0
6-5V2120-F	21.20	21.10	3 15/16	F	A3	7	5/16	1 5/16	3 5/8	1/2	110
6-5V2360-J	23.60	23.50	4 1/2	J	B3	7 3/4	1/8	1 5/16	4 1/2	3/16	148
6-5V2800-J	28.00	27.90	4 1/2	J	B3	7 3/4	1/8	1 5/16	4 1/2	3/16	169
6-5V3150-J	31.50	31.40	4 1/2	J	B3	7 3/4	1/8	1 5/16	4 1/2	3/16	206
6-5V3750-J	37.50	37.40	4 1/2	J	B3	7 3/4	1/8	1 5/16	4 1/2	3/16	241
6-5V5000-M	50.00	49.90	5 1/2	M	C3	9 1/2	1/8	1/2	6 3/4	1 3/8	388

**T<sub>aper</sub>  
B<sub>ore</sub> V-pulleys**

**3V-5V-8V**

**Cast Iron Sheaves**

**QTL**



**5V-8**

**F=5 13/16"(147.64mm)**

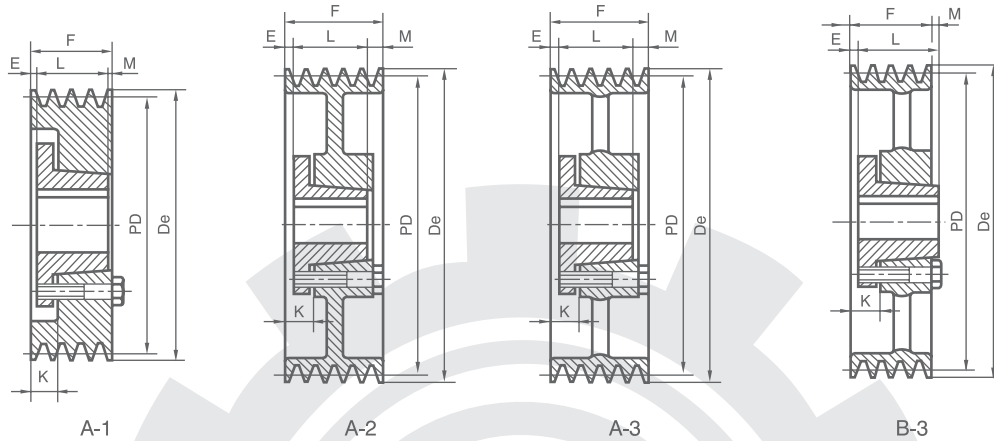
SHEAVE	De	Dp	Bush Max Bore	Bush	Type	Db	E	K	L	M	WT Less Bush
8-5V710-SF	7.10	7.00	215/16	SF	A1	—	17/16	21/8	21/16	25/16	19
8-5V750-SF	7.50	7.40	215/16	SF	A1	—	17/16	21/8	21/16	25/16	20
8-5V800-E	8.00	7.90	31/2	E	A1	—	15/8	21/2	25/8	19/16	25
8-5V850-E	8.50	8.40	31/2	E	A1	—	15/8	21/2	25/8	19/16	29
8-5V900-E	9.00	8.90	31/2	E	A1	—	15/8	21/2	25/8	19/16	32
8-5V925-F	9.25	9.15	31/2	F	A1	—	19/16	29/16	35/8	5/8	39
8-5V975-F	9.75	9.65	315/16	F	A1	—	19/16	29/16	35/8	5/8	42
8-5V1030-F	10.30	10.20	315/16	F	A1	—	19/16	29/16	35/8	5/8	52
8-5V1090-F	10.90	10.80	315/16	F	A1	—	19/16	29/16	35/8	5/8	59
8-5V1130-F	11.30	11.20	315/16	F	A1	—	19/16	29/16	35/8	5/8	62
8-5V1180-F	11.80	11.70	315/16	F	A1	—	19/16	29/16	35/8	5/8	64
8-5V1250-F	12.50	12.40	315/16	F	A3	7	19/16	29/16	35/8	5/8	66
8-5V1320-F	13.20	13.10	315/16	F	A3	7	19/16	29/16	35/8	5/8	68
8-5V1400-F	14.00	13.90	315/16	F	A3	7	19/16	29/16	35/8	5/8	70
8-5V1500-F	15.00	14.90	315/16	F	A3	7	19/16	29/16	35/8	5/8	73
8-5V1600-F	16.00	15.90	315/16	F	A3	7	19/16	19/16	35/8	5/8	89
8-5V1870-J	18.70	18.60	41/2	J	A3	73/4	3/8	19/16	41/2	15/16	132
8-5V2120-J	21.20	21.10	41/2	J	A3	73/4	3/8	19/16	41/2	15/16	150
8-5V2360-J	23.60	23.50	41/2	J	A3	73/4	3/8	19/16	41/2	15/16	162
8-5V2800-J	28.00	27.90	41/2	J	A3	73/4	3/8	19/16	41/2	15/16	191
8-5V3150-M	31.50	31.40	51/2	M	B3	91/2	1/2	115/16	63/4	17/16	298
8-5V3750-M	37.50	37.40	51/2	M	B3	91/2	1/2	115/16	63/4	17/16	319
8-5V5000-M	50.00	49.90	51/2	M	B3	91/2	1/2	115/16	63/4	17/16	497

**Taper Bore V-pulleys**

**3V-5V-8V**

**Cast Iron Sheaves**

**QTL**



**5V-10**

**F = 7 3/16" (182.56mm)**

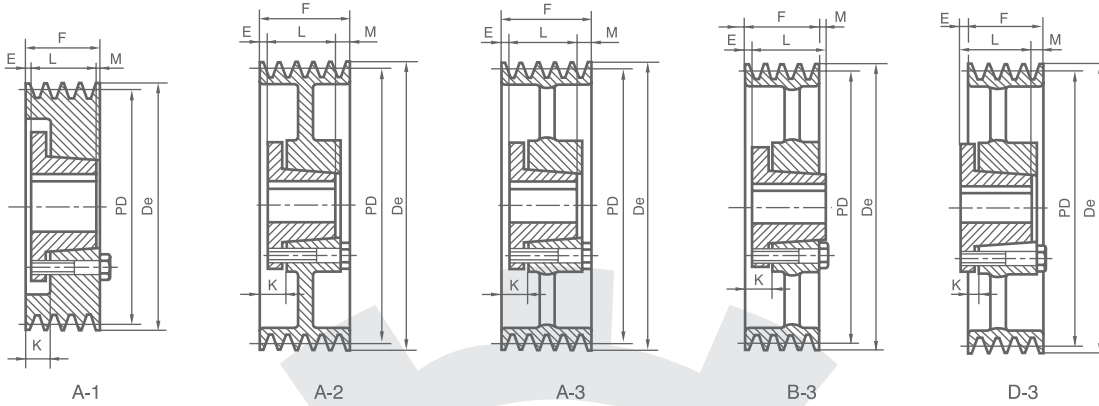
SHEAVE	De	Dp	Bush Max Bore	Bush	Type	Db	E	K	L	M	WT Less Bush
10-5V800-E	8.00	7.90	3 1/2	E	A1	—	2 3/8	3 1/4	2 5/8	2 3/16	27
10-5V850-E	8.50	8.40	3 1/2	E	A1	—	2 3/8	3 1/4	2 5/8	2 3/16	32
10-5V900-F	9.00	8.90	3 15/16	F	A1	—	2 5/16	3 5/16	3 5/8	1 1/4	41
10-5V925-F	9.25	9.15	3 15/16	F	A1	—	2 5/16	3 5/16	3 5/8	1 1/4	47
10-5V975-F	9.75	9.65	3 15/16	F	A1	—	2 5/16	3 5/16	3 5/8	1 1/4	58
10-5V1030-F	10.30	10.20	3 15/16	F	A1	—	2 5/16	3 5/16	3 5/8	1 1/4	66
10-5V1090-F	10.90	10.80	3 15/16	F	A1	—	2 5/16	3 5/16	3 5/8	1 1/4	75
10-5V1130-F	11.30	11.20	3 15/16	F	A1	—	2 5/16	3 5/16	3 5/8	1 1/4	79
10-5V1180-F	11.80	11.70	3 15/16	F	A1	—	2 5/16	3 5/16	3 5/8	1 1/4	80
10-5V1250-J	12.50	12.40	4 1/2	J	A1	—	2 3/8	3 9/16	4 1/2	5/16	82
10-5V1320-J	13.20	13.10	4 1/2	J	A1	—	2 3/8	3 9/16	4 1/2	5/16	85
10-5V1400-J	14.00	13.90	4 1/2	J	A2	7 3/4	2 3/8	3 9/16	4 1/2	5/16	90
10-5V1500-J	15.00	14.90	4 1/2	J	A2	7 3/4	2 3/8	3 9/16	4 1/2	5/16	92
10-5V1600-J	16.00	15.90	4 1/2	J	A2	—	2 3/8	3 9/16	4 1/2	5/16	102
10-5V1870-J	18.70	18.60	4 1/2	J	A3	7 3/4	3/8	1 9/16	4 1/2	2 3/16	150
10-5V2120-J	21.20	21.10	4 1/2	J	A3	7 3/4	3/8	1 9/16	4 1/2	2 3/16	164
10-5V2360-M	23.60	23.50	4 1/2	M	B3	9 1/2	1/2	1 15/16	6 3/4	1/16	258
10-5V2800-M	28.00	27.90	5 1/2	M	B3	9 1/2	1/2	1 15/16	6 3/4	1/16	278
10-5V3150-M	31.50	31.40	5 1/2	M	B3	9 1/2	1/2	1 15/16	6 3/4	1/16	318
10-5V3750-M	37.50	37.40	5 1/2	M	B3	9 1/2	1/2	1 15/16	6 3/4	1/16	340
10-5V5000-M	50.00	49.90	5 1/2	M	B3	9 1/2	1/2	1 15/16	6 3/4	1/16	538

**Taper Bore V-pulleys**

**3V-5V-8V**

**Cast Iron Sheaves**

**QTL**



**8V-4**

**F=4 7/8" (123.83mm)**

SHEAVE	De	Dp	Bush Max Bore	Bush	Type	Db	E	K	L	M	WT Less Bush
4-8V1250-F	12.50	12.30	3/15/16	F	A1	—	3/16	13/16	35/8	11/16	63
4-8V1320-F	13.20	13.00	3/15/16	F	A2	7	3/16	13/16	35/8	11/16	66
4-8V1400-F	14.00	13.80	3/15/16	F	A2	7	3/16	13/16	35/8	11/16	70
4-8V1500-F	15.00	14.80	3/15/16	F	A2	7	3/16	13/16	35/8	11/16	74
4-8V1600-F	16.00	15.80	3/15/16	F	A2	7	3/16	13/16	35/8	11/16	82
4-8V1700-F	17.00	16.80	3/15/16	F	A3	7	3/16	13/16	35/8	11/16	94
4-8V1800-F	18.00	17.80	3/15/16	F	A3	7	3/16	13/16	35/8	11/16	99
4-8V1900-F	19.00	18.80	3/15/16	F	A3	7	3/16	13/16	35/8	11/16	105
4-8V2000-J	20.00	19.80	4/1/2	J	A3	7 3/4	1/4	17/16	41/2	1/8	141
4-8V2120-J	21.20	21.00	4/1/2	J	A3	7 3/4	1/4	17/16	41/2	1/8	150
4-8V2240-J	22.40	22.20	4/1/2	J	A3	7 3/4	1/4	17/16	41/2	1/8	177
4-8V2480-M	24.80	24.60	5/1/2	M	C3	9 1/2	5/8	13/16	63/4	1 1/4	223
4-8V3000-M	30.00	29.80	5/1/2	M	C3	9 1/2	5/8	13/16	63/4	1 1/4	285
4-8V3550-M	35.50	35.30	5/1/2	M	C3	9 1/2	5/8	13/16	63/4	1 1/4	305
4-8V4000-M	40.00	39.80	5/1/2	M	C3	9 1/2	5/8	13/16	63/4	1 1/4	355
4-8V4450-M	44.50	44.30	5/1/2	M	C3	9 1/2	5/8	13/16	63/4	1 1/4	369
4-8V5300-M	53.00	52.80	5/1/2	M	C3	9 1/2	3/8	13/16	63/4	1 1/4	478

**8V-5**

**F=6" (152.40mm)**

SHEAVE	De	Dp	Bush Max Bore	Bush	Type	Db	E	K	L	M	WT Less Bush
5-8V1250-F	12.50	12.30	3/15/16	F	A1	—	15/16	25/16	35/8	11/16	68
5-8V1320-F	13.20	13.00	3/15/16	F	A2	7	15/16	25/16	35/8	11/16	75
5-8V1400-F	14.00	13.80	3/15/16	F	A2	7	15/16	25/16	35/8	11/16	78
5-8V1500-F	15.00	14.80	3/15/16	F	A2	7	15/16	25/16	35/8	11/16	94
5-8V1600-F	16.00	15.80	3/15/16	F	A2	7	15/16	25/16	35/8	11/16	101
5-8V1700-J	17.00	16.80	4/1/2	J	A3	7 3/4	13/16	2	41/2	11/16	111
5-8V1800-J	18.00	17.80	4/1/2	J	A3	7 3/4	13/16	2	41/2	11/16	130
5-8V1900-J	19.00	18.80	4/1/2	J	A3	7 3/4	13/16	2	41/2	11/16	135
5-8V2000-J	20.00	19.80	4/1/2	J	A3	7 3/4	13/16	2	41/2	11/16	152
5-8V2120-J	21.20	21.00	4/1/2	J	A3	7 3/4	13/16	2	41/2	11/16	183
5-8V2240-M	22.40	22.20	5/1/2	M	B3	9 1/2	1/2	115/16	63/4	1 1/4	223
5-8V2480-M	24.80	24.60	5/1/2	M	B3	9 1/2	1/2	115/16	63/4	1 1/4	254
5-8V3000-M	30.00	29.80	5/1/2	M	B3	9 1/2	1/2	115/16	63/4	1 1/4	294
5-8V3550-M	35.50	35.30	5/1/2	M	B3	9 1/2	1/2	115/16	63/4	1 1/4	325
5-8V4000-M	40.00	39.80	5/1/2	M	B3	9 1/2	1/2	115/16	63/4	1 1/4	430
5-8V4450-N	44.50	44.30	6	N	C3	10 1/2	13/16	15/16	81/8	15/16	485
5-8V5300-N	53.00	52.80	6	N	C3	10 1/2	13/16	15/16	81/8	15/16	672

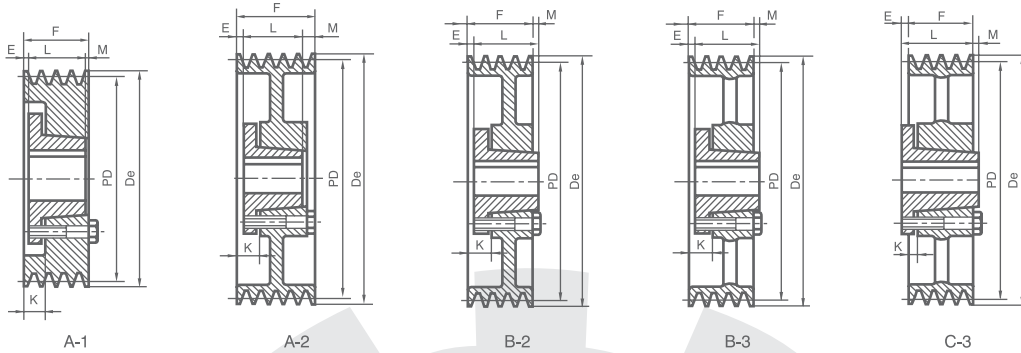


**Taper Bore V-pulleys**

**3V-5V-8V**

**Cast Iron Sheaves**

**QTL**



**8V-6**

**F=7 1/8" (180.98mm)**

SHEAVE	De	Dp	Bush Max Bore	Bush	Type	Db	E	K	L	M	WT Less Bush
6-8V1250-F	12.50	12.30	3/15/16	F	A1	—	15/16	25/16	35/8	23/16	86
6-8V1320-F	13.20	13.00	3/15/16	F	A1	—	15/16	25/16	35/8	23/16	94
6-8V1400-F	14.00	13.80	3/15/16	F	A1	—	15/16	25/16	35/8	23/16	108
6-8V1500-J	15.00	14.80	4/1/2	J	A1	—	13/8	29/16	41/2	11/4	138
6-8V1600-J	16.00	15.80	4/1/2	J	A1	—	13/8	29/16	41/2	11/4	142
6-8V1700-J	17.00	16.80	4/1/2	J	A2	7/3/4	13/8	29/16	41/2	11/4	144
6-8V1800-J	18.00	17.80	4/1/2	J	A2	7/3/4	13/8	29/16	41/2	11/4	160
6-8V1900-J	19.00	18.80	4/1/2	J	A2	7/3/4	13/8	29/16	41/2	11/4	172
6-8V2000-M	20.00	19.80	5/1/2	M	B2	9/1/2	11/2	215/16	63/4	11/8	204
6-8V2120-M	21.20	21.00	5/1/2	M	B2	9/1/2	11/2	215/16	63/4	11/8	226
6-8V2240-M	22.40	22.20	5/1/2	M	B3	9/1/2	11/2	215/16	63/4	11/8	235
6-8V2480-M	24.80	24.60	5/1/2	M	B3	9/1/2	1/2	115/16	63/4	1/8	246
6-8V3000-M	30.00	29.80	5/1/2	M	B3	9/1/2	1/2	115/16	63/4	1/8	306
6-8V3550-N	35.50	35.30	6	N	C3	101/2	5/8	11/8	81/8	3/8	466
6-8V4000-N	40.00	39.80	6	N	C3	101/2	5/8	11/8	81/8	3/8	548
6-8V4450-N	44.50	44.30	6	N	C3	101/2	5/8	11/8	81/8	3/8	590
6-8V5300-N	53.00	52.80	6	N	C3	101/2	5/8	11/8	81/8	3/8	658
6-8V6300-P	63.00	62.80	63/4	P	C3	121/4	—	2	93/8	17/8	860
6-8V7100-P	71.00	70.80	63/4	P	C3	121/4	5/8	25/8	93/8	21/2	1272

**8V-8**

**F=9 3/8" (238.13mm)**

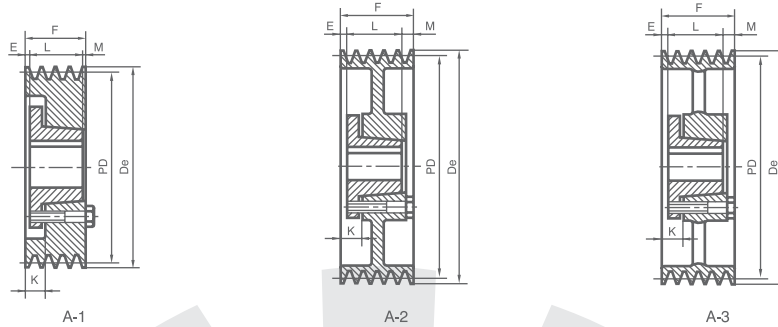
SHEAVE	De	Dp	Bush Max Bore	Bush	Type	Db	E	K	L	M	WT Less Bush
8-8V1250-J	12.50	12.30	4/1/2	J	A1	—	23/8	39/16	41/2	2 1/2	108
8-8V1320-J	13.20	13.00	4/1/2	J	A1	—	23/8	39/16	41/2	2 1/2	118
8-8V1400-J	14.00	13.80	4/1/2	J	A1	—	23/8	39/16	41/2	2 1/2	131
8-8V1500-J	15.00	14.80	4/1/2	J	A1	—	23/8	39/16	41/2	2 1/2	151
8-8V1600-J	16.00	15.80	4/1/2	J	A1	—	23/8	39/16	41/2	2 1/2	155
8-8V1700-M	17.00	16.80	5/1/2	M	A2	9/1/2	21/2	315/16	63/4	1/8	188
8-8V1800-M	18.00	17.80	5/1/2	M	A2	9/1/2	21/2	315/16	63/4	1/8	202
8-8V1900-M	19.00	18.80	5/1/2	M	A2	9/1/2	21/2	315/16	63/4	1/8	221
8-8V2000-M	20.00	19.80	5/1/2	M	A2	9/1/2	21/2	315/16	63/4	1/8	236
8-8V2120-M	21.20	21.00	5/1/2	M	A2	9/1/2	21/2	315/16	63/4	1/8	267
8-8V2240-M	22.40	22.20	5/1/2	M	A3	9/1/2	21/2	315/16	63/4	1/8	284
8-8V2480-N	24.80	24.60	6	N	A3	101/2	1/2	21/4	81/8	3/4	418
8-8V3000-N	30.00	29.80	6	N	A3	101/2	1/2	21/4	81/8	3/4	447
8-8V3550-N	35.50	35.30	6	N	A3	101/2	1/2	21/4	81/8	3/4	553
8-8V4000-N	40.00	39.80	6	N	A3	101/2	1/2	21/4	81/8	3/4	648
8-8V4450-P	44.50	44.30	63/4	P	B3	121/4	5/8	25/8	9 3/8	5/8	679
8-8V5300-P	53.00	52.80	63/4	P	B3	121/4	5/8	25/8	93/8	5/8	946
8-8V6300-P	63.00	62.80	63/4	P	B3	121/4	5/8	25/8	93/8	5/8	1372
8-8V7100-W	71.00	70.80	81/2	W	C3	16	7/8	13/8	113/8	3/4	1680

**T<sub>aper</sub>  
B<sub>ore</sub> V-pulleys**

**3V-5V-8V**

**Cast Iron Sheaves**

**QTL**



**8V-10**

**F=11 5/8" (295.28mm)**

SHEAVE	De	Dp	Bush Max Bore	Bush	Type	Db	E	K	L	M	WT Less Bush
10-8V1250-J	12.50	12.30	4 1/2	J	A1	—	23/8	39/16	4 1/2	43/4	122
10-8V1320-J	13.20	13.00	4 1/2	J	A1	—	23/8	39/16	4 1/2	43/4	140
10-8V1400-J	14.00	13.80	4 1/2	J	A1	—	23/8	39/16	4 1/2	43/4	152
10-8V1500-M	15.00	14.80	5 1/2	M	A1	—	2 1/2	3 15/16	63/4	23/8	212
10-8V1600-M	16.00	15.80	5 1/2	M	A1	—	2 1/2	3 15/16	63/4	23/8	219
10-8V1700-M	17.00	16.80	5 1/2	M	A2	9 1/2	2 1/2	3 15/16	63/4	23/8	228
10-8V1800-M	18.00	17.80	5 1/2	M	A2	9 1/2	2 1/2	3 15/16	63/4	23/8	236
10-8V1900-M	19.00	18.80	5 1/2	M	A2	9 1/2	2 1/2	3 15/16	63/4	23/8	260
10-8V2000-M	20.00	19.80	5 1/2	M	A2	9 1/2	2 1/2	3 15/16	63/4	23/8	280
10-8V2120-M	21.20	21.00	5 1/2	M	A2	9 1/2	2 1/2	3 15/16	63/4	23/8	298
10-8V2240-N	22.40	22.20	6	N	A2	10 1/2	1/2	2 1/4	8 1/8	3	366
10-8V2480-N	24.80	24.60	6	N	A2	10 1/2	1/2	2 1/4	8 1/8	3	454
10-8V3000-N	30.00	29.80	6	N	A3	10 1/2	1/2	2 1/4	8 1/8	3	468
10-8V3550-P	35.50	35.30	63/4	P	A3	12 1/4	5/8	25/8	93/8	15/8	784
10-8V4000-P	40.00	39.80	63/4	P	A3	12 1/4	5/8	25/8	93/8	15/8	826
10-8V4450-P	44.50	44.30	63/4	P	A3	12 1/4	5/8	25/8	93/8	15/8	996
10-8V5300-P	53.00	52.80	63/4	P	A3	12 1/4	5/8	25/8	93/8	1/4	1010
10-8V6300-W	63.00	62.80	8 1/2	W	A3	16	5/8	27/8	113/8	—	1443
10-8V7100-W	71.00	70.80	8 1/2	W	A3	16	5/8	27/8	113/8	—	1842

**8V-12**

**F=14" (355.60mm)**

SHEAVE	De	Dp	Bush Max Bore	Bush	Type	Db	E	K	L	M	WT Less Bush
12-8V1250-M	12.50	12.30	5 1/2	M	A1	—	2 1/2	3 15/16	63/4	45/8	161
12-8V1320-M	13.20	13.00	5 1/2	M	A1	—	2 1/2	3 15/16	63/4	45/8	185
12-8V1400-M	14.00	13.80	5 1/2	M	A1	—	2 1/2	3 15/16	63/4	45/8	211
12-8V1500-M	15.00	14.80	5 1/2	M	A1	—	2 1/2	3 15/16	63/4	45/8	234
12-8V1600-M	16.00	15.80	5 1/2	M	A1	—	2 1/2	3 15/16	63/4	45/8	285
12-8V1700-M	17.00	16.80	5 1/2	M	A1	—	2 1/2	3 15/16	63/4	45/8	324
12-8V1800-M	18.00	17.80	5 1/2	M	A2	—	2 1/2	3 15/16	63/4	45/8	330
12-8V1900-N	19.00	18.80	6	N	A2	10 1/2	1/2	2 1/4	8 1/8	5 1/4	338
12-8V2000-N	20.00	19.80	6	N	A2	10 1/2	1/2	2 1/4	8 1/8	5 1/4	365
12-8V2120-N	21.20	21.00	6	N	A2	10 1/2	1/2	2 1/4	8 1/8	5 1/4	387
12-8V2240-N	22.40	22.20	6	N	A2	10 1/2	1/2	2 1/4	8 1/8	5 1/4	399
12-8V2480-N	24.80	24.60	6	N	A2	10 1/2	1/2	2 1/4	8 1/8	5 1/4	454
12-8V3000-P	30.00	29.80	63/4	P	A3	12 1/2	5/8	25/8	93/8	37/8	605
12-8V3550-P	35.50	35.30	63/4	P	A3	12 1/4	5/8	25/8	93/8	37/8	706
12-8V4000-P	40.00	39.80	63/4	P	A3	12 1/4	5/8	25/8	93/8	37/8	766
12-8V4450-P	44.50	44.30	63/4	P	A3	12 1/4	5/8	25/8	93/8	37/8	910
12-8V5300-W	53.00	52.80	8 1/2	W	A3	16	5/8	27/8	113/8	2 1/4	1333
12-8V6300-W	63.00	62.80	8 1/2	W	A3	16	5/8	27/8	113/8	2 1/4	1777
12-8V7100-W	71.00	70.80	8 1/2	W	A3	16	5/8	27/8	113/8	2 1/4	2002